



TZELAN 5-HOLE TUB FILLER TRIM (HAND SHOWER SOLD SEPARATELY)

FEATURES

- Solid brass construction
- Two lever handles
- High flow rate
- Handset excluded

COLORS/FINISHES

- #CP Polished Chrome
- #NK Silver Nickel

INSTALLATION NOTES

This product is designed for deck-mount installation by a licensed professional plumber. Please refer to the installation manual for further instructions.



REQUIRED PRODUCTS

OAN-20402 5-HOLE TUB FILLER ROUGH-IN VALVE

MATERIAL

- Brass
- Zinc

WARRANTY

- Five-year Limited Warranty for residential use
- One-year Limited Warranty for commercial use

FLOW RATE

7.53 gpm (28.5 L/min) @ 60 psi

PLEASE NOTE:

Final achievable flow rate is dependent on the outlets fitted, see relevant outlets (spouts, rose, sprays) for assembled product flow rate.

SHIPPING INFORMATION

Package Dimensions
TBA
Package Weight
TBA lbs

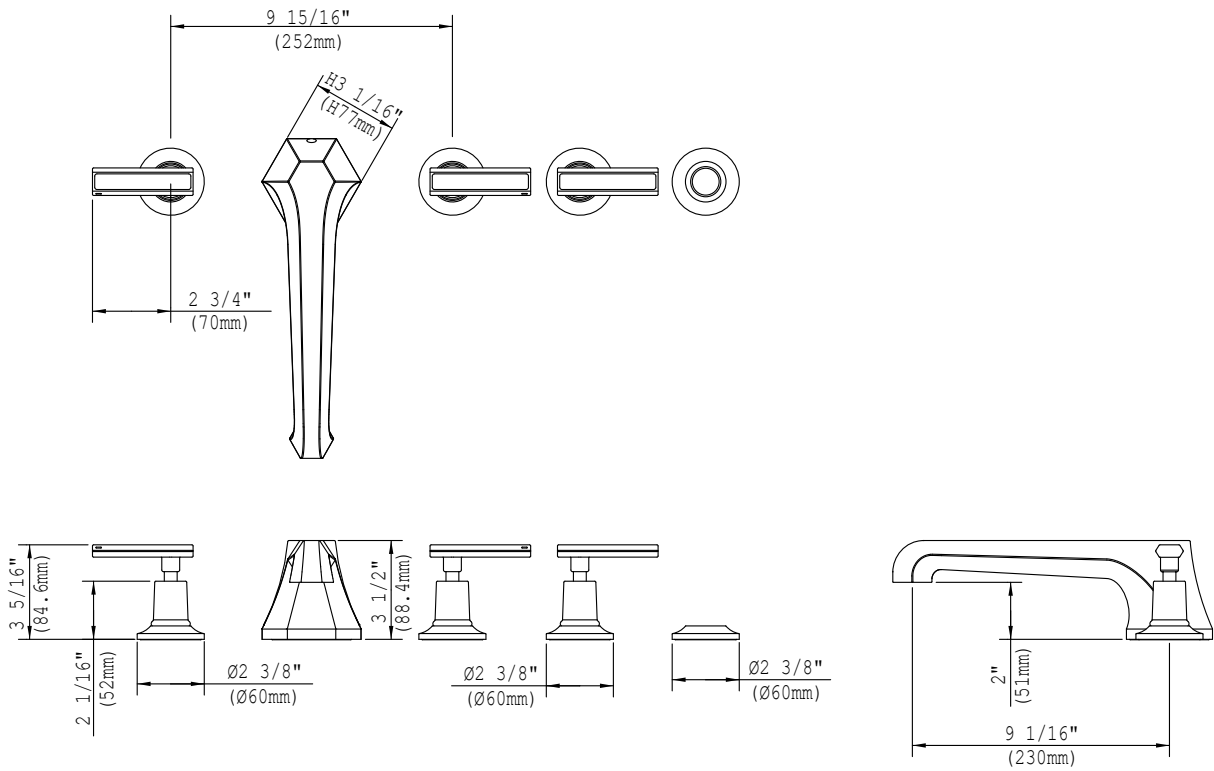
CODES/STANDARDS

- Certifications: IAPMO(cUPC)





DIMENSIONS



SERVICE PARTS

SERVICE PARTS
DRAWINGS
BEING UPDATED