

5-HOLE TUB FILLER ROUGH-IN VALVE

FEATURES

- Solid brass construction
- 5 hole rough valve set with diverter and handshower
- 7.3 GPM flow rate
- Ceramic disc cartridges

COLORS/FINISHES

- #CP Polished Chrome
- #BN Brushed Nickel

INSTALLATION NOTES

This product is designed for a deck mount installation by a licensed plumbing professional. Please refer to the installation manual for further instructions.



WARRANTY

- Five-year Limited Warranty for residential use
- One-year Limited Warranty for commercial use

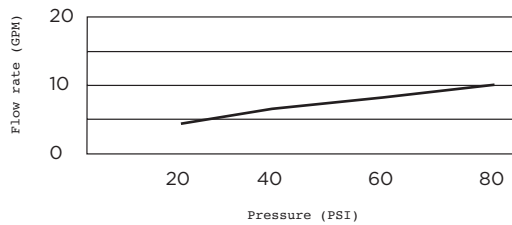
SHIPPING INFORMATION

Package Dimensions
14 3/16" x 13 3/4" x 3 15/16"
Package Weight
12.3 lbs

MATERIAL

- Brass

FLOW RATE



PLEASE NOTE:

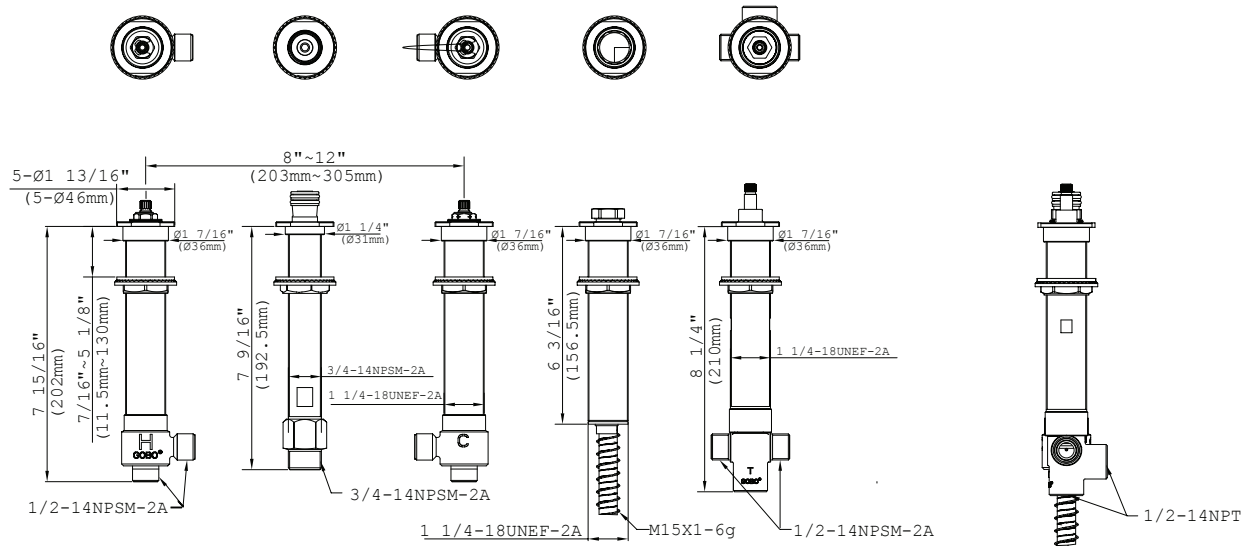
Final achievable flow rate is dependent on the outlets fitted, see relevant outlets (spouts, rose, sprays) for assembled product flow rate.

CODES/STANDARDS

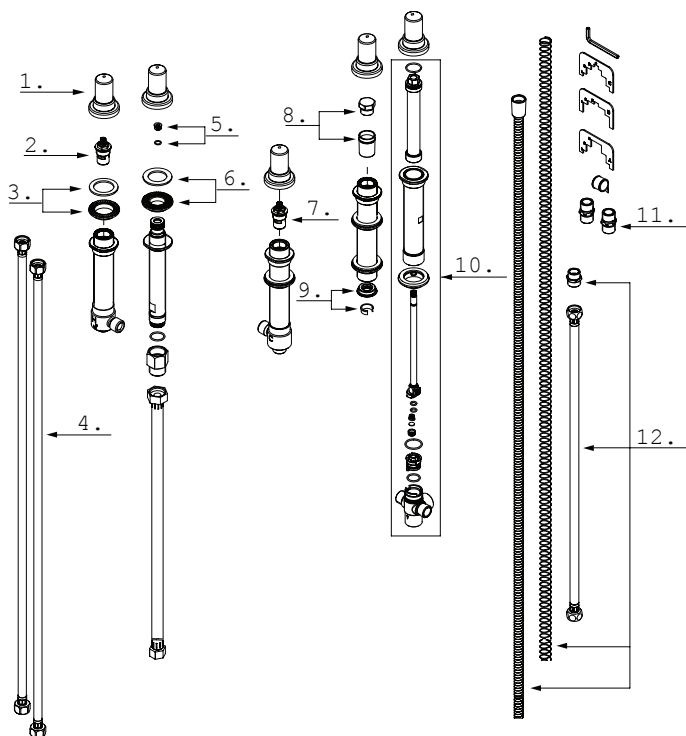
- Meets A112.18.1M/A112.18.1
- Certifications: IAPMO(cUPC)



DIMENSIONS



SERVICE PARTS



- 1. Protective Cap (A038103)
- 2. Cartridge - Hot (A507725-5)
- 3. Mounting Hardware (A663484)
- 4. Supply Hose (PR) (A105694N)
- 5. Plug Assembly (A663A75)
- 6. Mounting Hardware (A603236)
- 7. Cartridge - Cold (A507724-)
- 8. Holster Insert (A663A76)
- 9. Holster Bottom Ring (A663A)
- 10. Diverter Body Assembly (A6)
- 11. Adaptor (PR) (A608211)
- 12. Hose Assembly (A664291)

DATE: 16 JANUARY 2019