

VOLUME CONTROL ROUGH-IN VALVES FOR HOT AND COLD OPERATION

FEATURES

- Solid brass construction
- 3/4" flow control rough
- Quarter-turn ceramic disc cartridges

COLORS/FINISHES

- N/A



INSTALLATION NOTES

This product is designed for wall mount installation by a licensed professional plumber. Please refer to the installation manual for further instructions.

WARRANTY

- Five-year Limited Warranty for residential use
- One-year Limited Warranty for commercial use

FLOW RATE

12.95 gpm (49L/min) @ 60 psi

PLEASE NOTE:

Final achievable flow rate is dependent on the outlets fitted, see relevant outlets (spouts, rose, sprays) for assembled product flow rate.

SHIPPING INFORMATION

Package Dimensions
6 1/8" x 2 15/16" x 2 15/16"
Package Weight
N/A lbs

CODES/STANDARDS

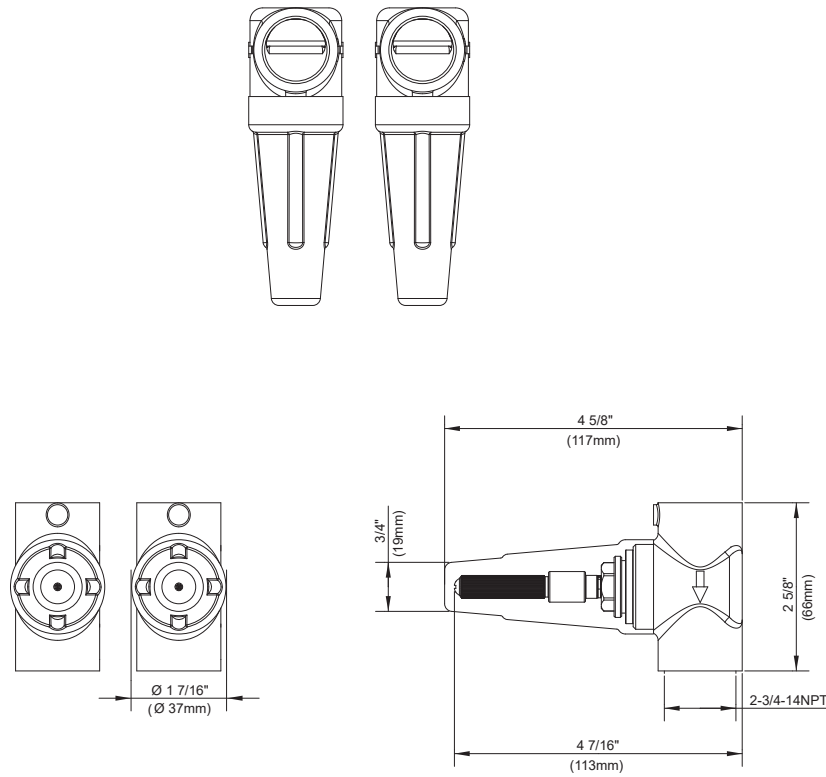
- Certification: IAPMO(cUPC)



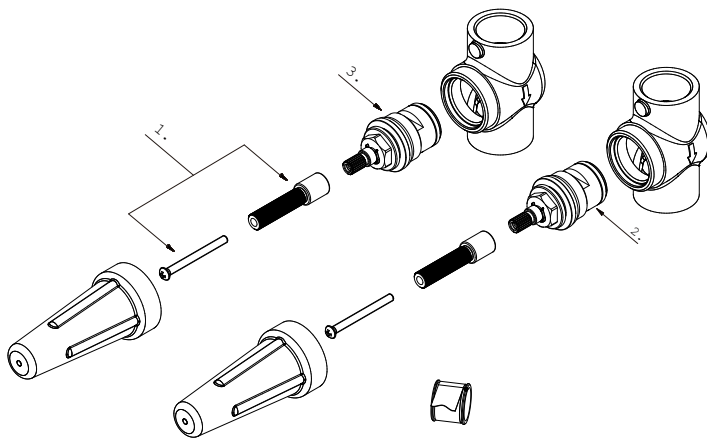
MATERIAL

- Brass

DIMENSIONS



SERVICE PARTS



- 1. Stem Extension (A66G160)
- 2. Cartridge - Cold (A507456)
- 3. Cartridge - Hot (A507455)

DATE: 26 OCT 2020