

WALL FLOW CONTROL ROUGH-IN VALVE

FEATURES

- Solid brass construction
- 3/4" flow control rough
- Ceramic disc cartridge

COLORS/FINISHES

- N/A

INSTALLATION NOTES

This product is designed for a wall mount installation by a licensed professional plumber. Please refer to the installation manual for further instructions.

WARRANTY

- Five-year Limited Warranty for residential use
- One-year Limited Warranty for commercial use

SHIPPING INFORMATION

Package Dimensions
6 1/8" x 2 15/16" x 2 15/16"
Package Weight
1.3 lbs

MATERIAL

- Brass



FLOW RATE

12.95 gpm (49L/min) @ 60 psi

PLEASE NOTE:

Final achievable flow rate is dependent on the outlets fitted, see relevant outlets (spouts, rose, sprays) for assembled product flow rate.

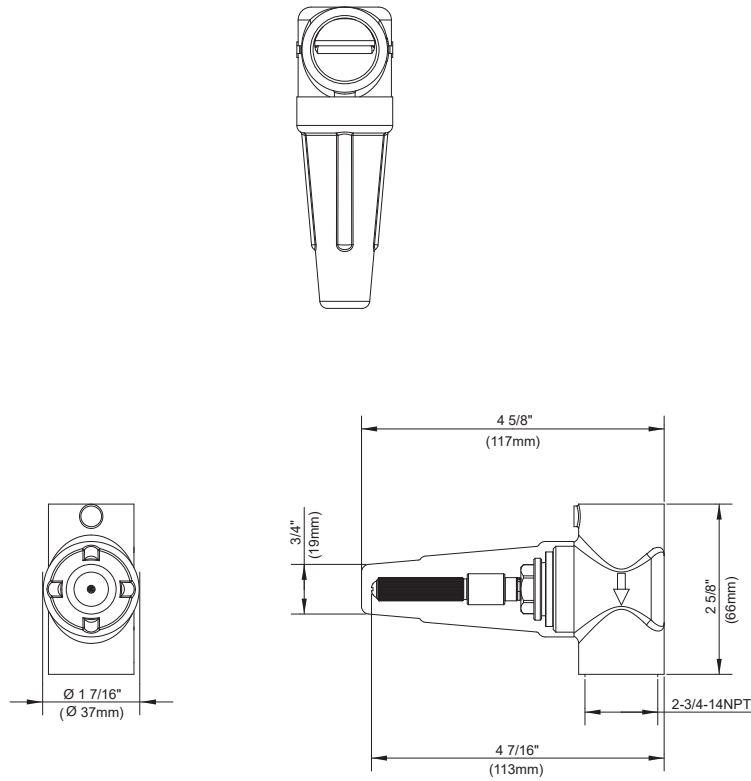
CODES/STANDARDS

- Certification: IAPMO(cUPC)

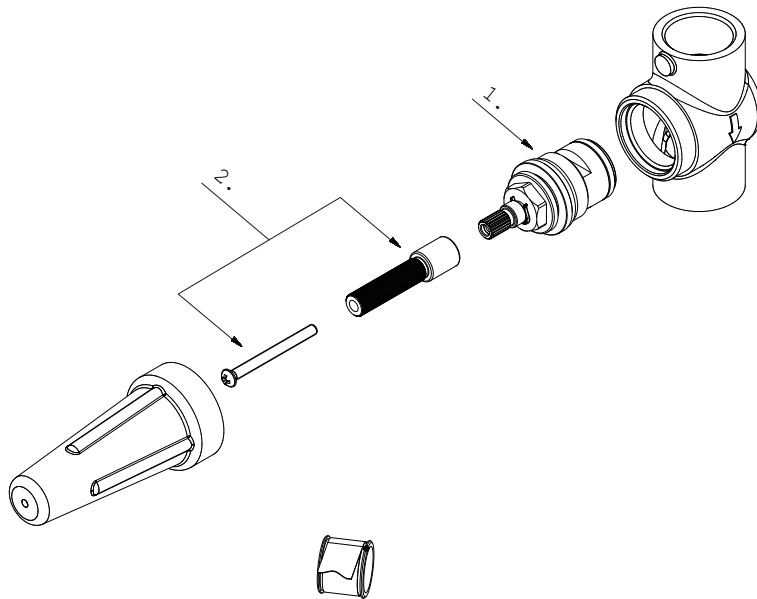




DIMENSIONS



SERVICE PARTS



1. Cartridge Assembly (A507455)
2. Stem Extension (A66G160)