

TWO-WAY DIVERTER ROUGH-IN VALVE

FEATURES

- Solid brass construction
- 1/2" 2 way diverter rough valve
- Ceramic disc cartridge

COLORS/FINISHES

- N/A

INSTALLATION NOTES

This product is designed for a wall mount installation by a licensed professional plumber. Please refer to the installation manual for further instructions.

WARRANTY

- Five-year Limited Warranty for residential use
- One-year Limited Warranty for commercial use

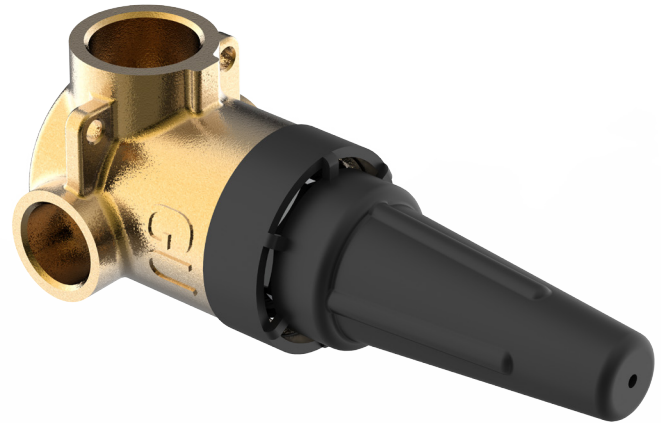
SHIPPING INFORMATION

Package Dimensions
6 1/8" x 2 15/16" x 2 15/16"

Package Weight
2.2 lbs

MATERIAL

- Brass



FLOW RATE

5.81 gpm (22L/min) @ 60 psi

PLEASE NOTE:

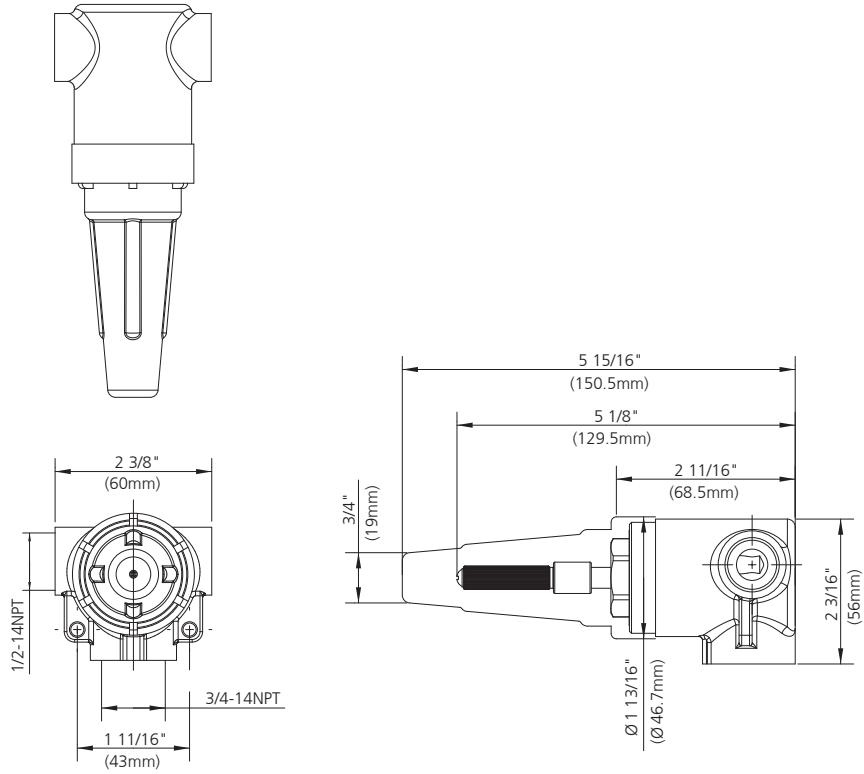
Final achievable flow rate is dependent on the outlets fitted, see relevant outlets (spouts, rose, sprays) for assembled product flow rate.

CODES/STANDARDS

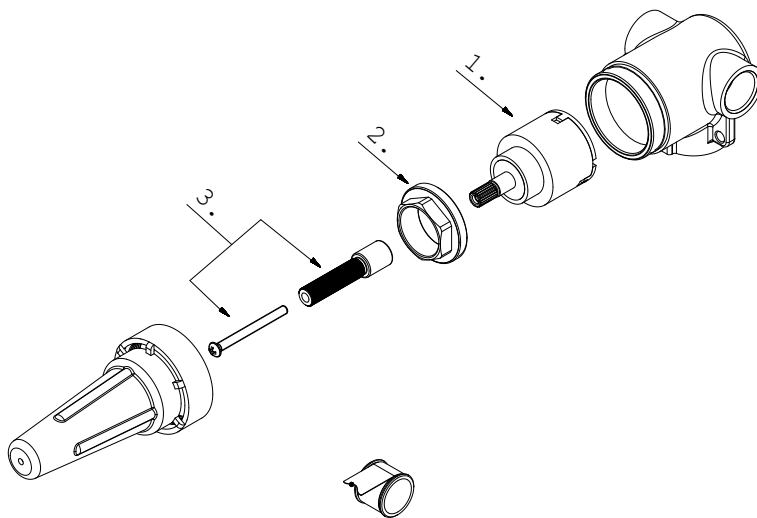
- Certification: IAPMO(cUPC)



DIMENSIONS



SERVICE PARTS



1. Cartridge Assembly (A510001N)
2. Adaptor (A104289)
3. Stem Extension (A66G160)