

THERMOSTATIC SHOWER ROUGH-IN VALVE

FEATURES

- Solid brass construction
- 3/4" single handle thermostatic rough
- To be used with flow control valves OAN-20350
- High flow rate

COLORS/FINISHES

- N/A

INSTALLATION NOTES

This product is designed for wall mount installation by a licensed professional plumber. Please refer to the installation manual for further instructions.

WARRANTY

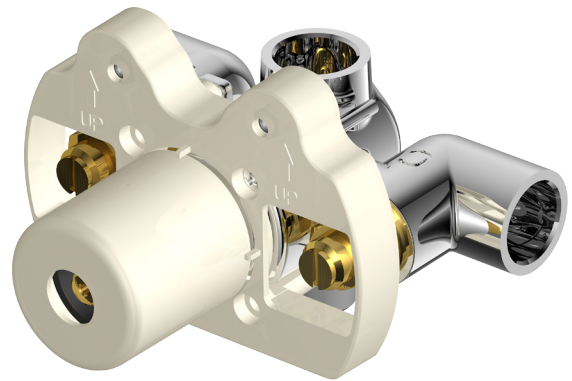
- Five-year Limited Warranty for residential use
- One-year Limited Warranty for commercial use

SHIPPING INFORMATION

Package Dimensions
7 7/8" x 6 5/16" x 4 5/16"
Package Weight
3.8 lbs

MATERIAL

- Brass



FLOW RATE

10.83 gpm (50L/min) @ 60 psi

PLEASE NOTE:

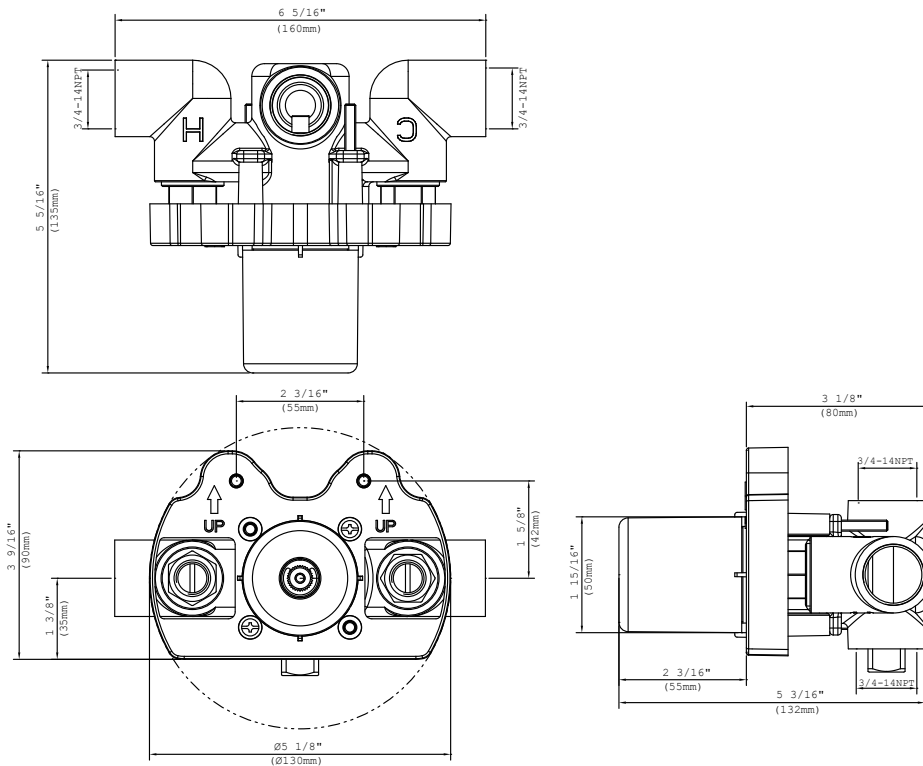
Final achievable flow rate is dependent on the outlets fitted, see relevant outlets (spouts, rose, sprays) for assembled product flow rate.

CODES/STANDARDS

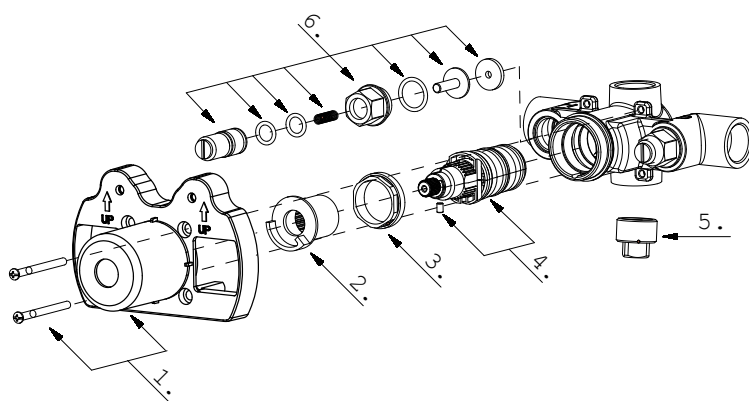
- Meets ASSE 1016
- Certification: IAPMO(cUPC)



DIMENSIONS



SERVICE PARTS



1. Thermo Mudguard Kit (A663A27)
2. Stopper (A049108)
3. Adjusting Ring (A104061)
4. Thermo Cartridge Assembly (A663A26)
5. Plug (A028612)
6. Check Valve Assembly (A603923)

DATE: 08 MAR 2021