

SINGLE HANDLE PRESSURE BALANCE ROUGH-IN VALVE

FEATURES

- Solid brass construction
- 7.8 GPM flow rate

COLORS/FINISHES

- N/A

INSTALLATION NOTES

This product is designed for a wall mount installation by a licensed plumbing professional. Please refer to the installation manual for further instructions.



WARRANTY

- Five-year Limited Warranty for residential use
- One-year Limited Warranty for commercial use

SHIPPING INFORMATION

Package Dimensions
7 7/8" x 6 5/16" x 4 5/8"
Package Weight
3.7 lbs

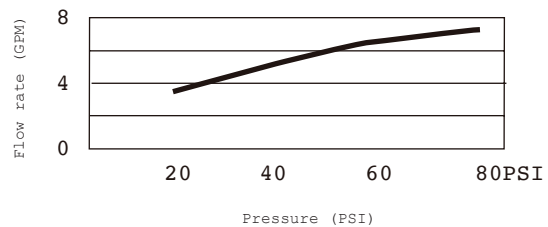
MATERIAL

- Brass

WARNING!

For use with shower heads rated at 1.3 gpm (6.1 L/min) or higher.

FLOW RATE



PLEASE NOTE:

Final achievable flow rate is dependent on the outlets fitted, see relevant outlets (spouts, rose, sprays) for assembled product flow rate.

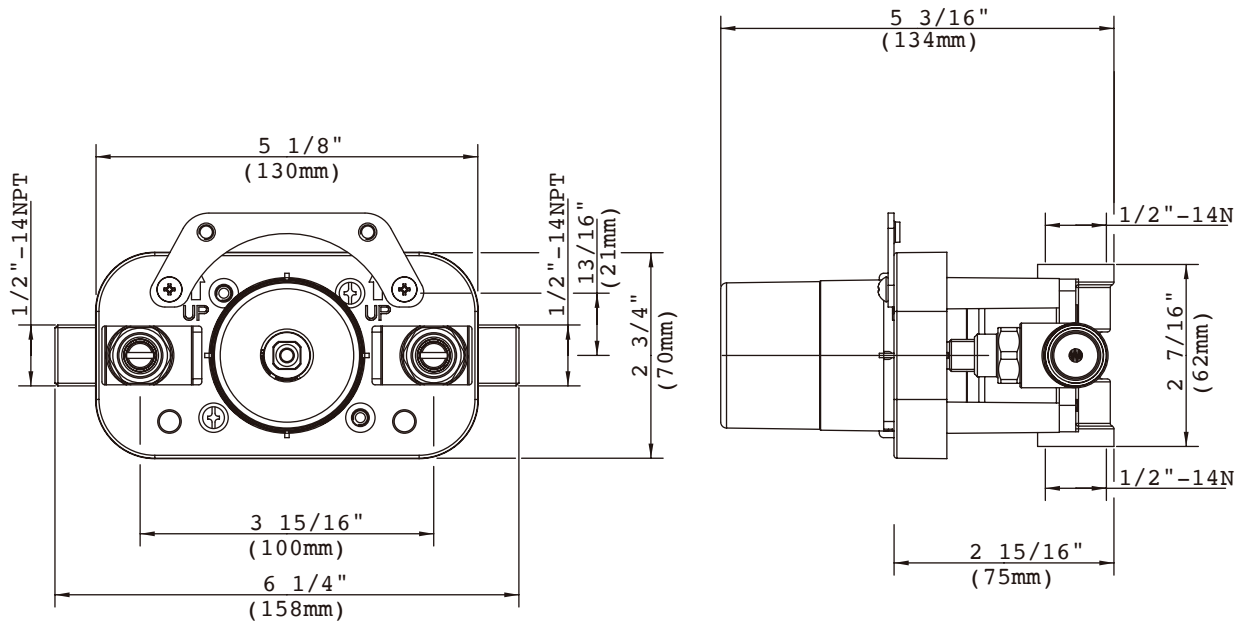
CODES/STANDARDS

- Meets A112.18.1M/A112.18.1
- Meets ASSE 1016
- Certifications: IAPMO(cUPC)

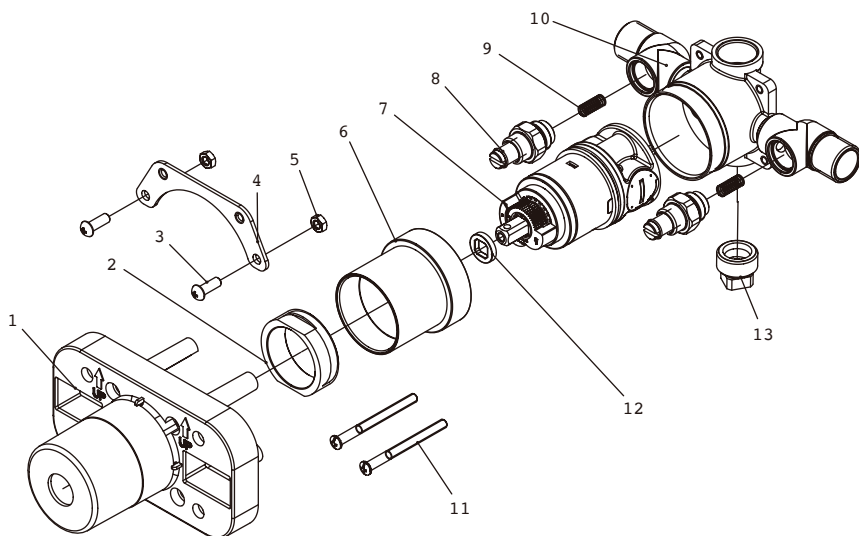


DATE: 24 SEPTEMBER 2018

DIMENSIONS



SERVICE PARTS



- 1 Plaster guard (127212)
- 2 Adjusting ring (104105)
- 3 Screw (075083)
- 4 Fixing board (126055)
- 5 Nut (009808)
- 6 Sleeve (041061)
- 7 PB cartridge assembly (507150)
- 8 Check valve (507037)
- 9 Spring (005006)
- 10 Body (061930)
- 11 Screw (008241)
- 12 Washer (013182)
- 13 Plug (028004)

DATE: 28 SEPTEMBER 2018