

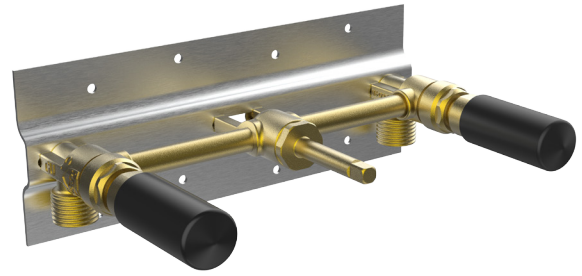
3-HOLE WALL MOUNTED ROUGH-IN VALVE

FEATURES

- Solid brass construction
- Wall-mounted rough body
- Quarter-turn ceramic disc cartridges

COLORS/FINISHES

- N/A



INSTALLATION NOTES

This product is designed for a three hole wall installation by a licensed plumbing professional. Please refer to the installation manual for further instructions.

WARRANTY

- Five-year Limited Warranty for residential use
- One-year Limited Warranty for commercial use

SHIPPING INFORMATION

Package Dimensions
10 1/4" x 6 11/16" x 3 3/4"
Package Weight
4.0 lbs

MATERIAL

- Brass

FLOW RATE

10.91 gpm (41.29L/min) @ 60 psi

PLEASE NOTE:

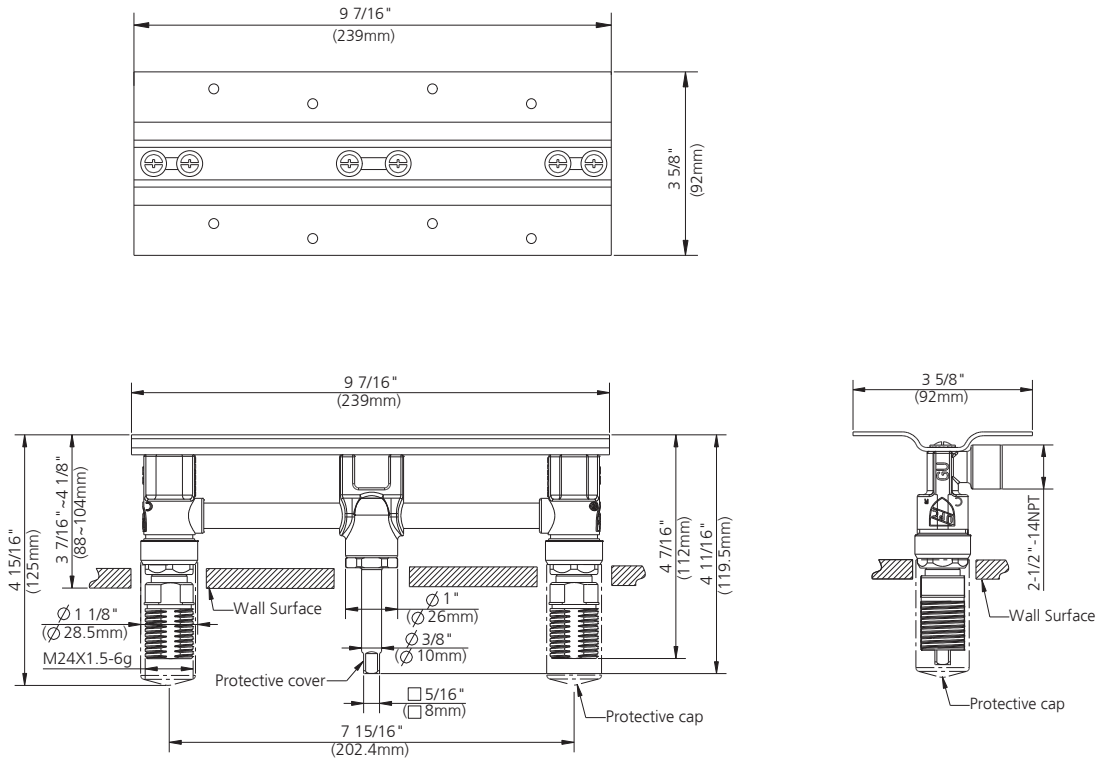
Final achievable flow rate is dependent on the outlets fitted, see relevant outlets (spouts, rose, sprays) for assembled product flow rate.

CODES/STANDARDS

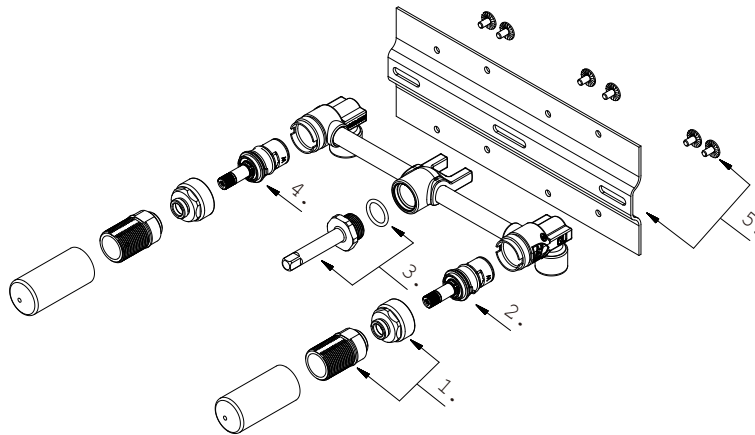
- Certification: IAPMO(cUPC)



DIMENSIONS



SERVICE PARTS



1. Handle Adaptor Assembly (A66G157NI)
2. Cartridge - Cold (A507072W)
3. Protective Cap Assembly (A663B52)
4. Cartridge - Hot (A507071W)
5. Back Plate Assembly (A603908-S)

DATE: 19 OCT 2020