



## EMILE ADA POCKET DOOR LATCH

### FEATURES

---

- Emile solid brass thumb-turn and trim
- ADA “push rotation” thumbturn interior
- Privacy release turn exterior
- Uses Accurate Lock & Hardware® Pocket Door Latch 161PDL
- 2-3/8” basket (60mm)
- For ADA compliance the latch mechanism must remain outside of the door pocket when the door is in open position for accessibility.
- Matching Emile Dummy Lever can be used in vertical position as ADA pull.
- Minimum door thickness 1-1/2” (38mm). (Smaller please specify for review)



### COLORS/FINISHES

---

- #CP Polished Chrome
- #BN Brushed Nickel
- #SF Special Finish (Inquired)

### WARRANTY

---

- Five-year Limited Warranty for residential use
- One-year Limited Warranty for commercial use

### MATERIAL

---

- Brass

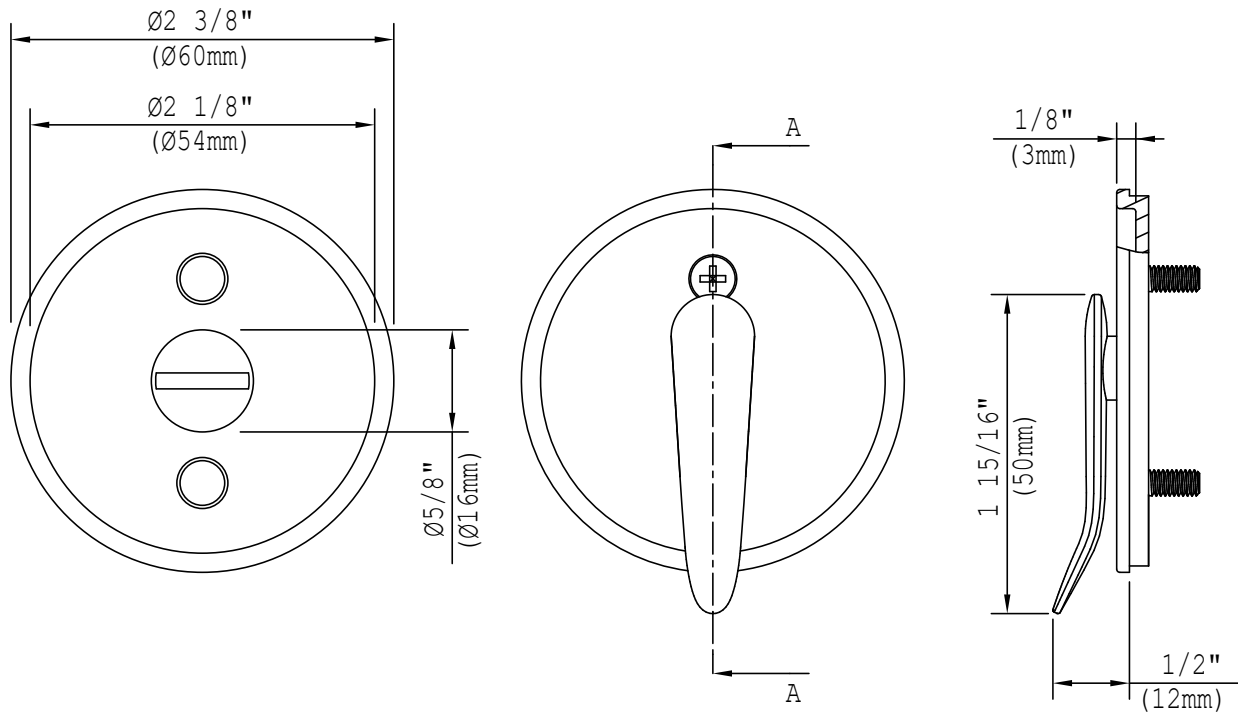
### CODES/STANDARDS

---

- ADA compliant



DIMENSIONS



COPYRIGHT © COOPER AND GRAHAM 2018. ALL RIGHTS RESERVED.