

EMILE 10" ROUND SHOWERHEAD WITH CEILING MOUNT SHOWER ARM

FEATURES

- Solid brass construction
- Ceiling mounted arm cover with 10-inch shower head
- Certified low flow rate of 1.75gpm (6.6L/min)max

COLORS/FINISHES

- #CP Polished Chrome
- #BN Brushed Nickel

INSTALLATION NOTES

This product is designed for ceiling mount by a licensed professional plumber. Please refer to the installation manual for further instructions.

WARRANTY

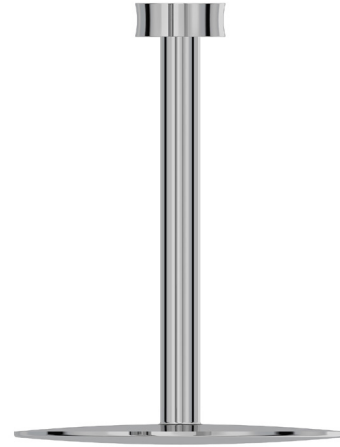
- Five-year Limited Warranty for residential use
- One-year Limited Warranty for commercial use

SHIPPING INFORMATION

Package Dimensions
13" x 13" x 1 3/8"
Package Weight
N/A lbs

MATERIAL

- Brass
- Rubber



FLOW RATE

1.75 gpm (6.6 L/min) Max Flow @ 80 psi

PLEASE NOTE:

Final achievable flow rate is dependent on the outlets fitted, see relevant outlets (spouts, rose, sprays) for assembled product flow rate.

WARNING!

For use with automatic compensating valves rated at 1.6 gpm(6.1 L/min) or less.

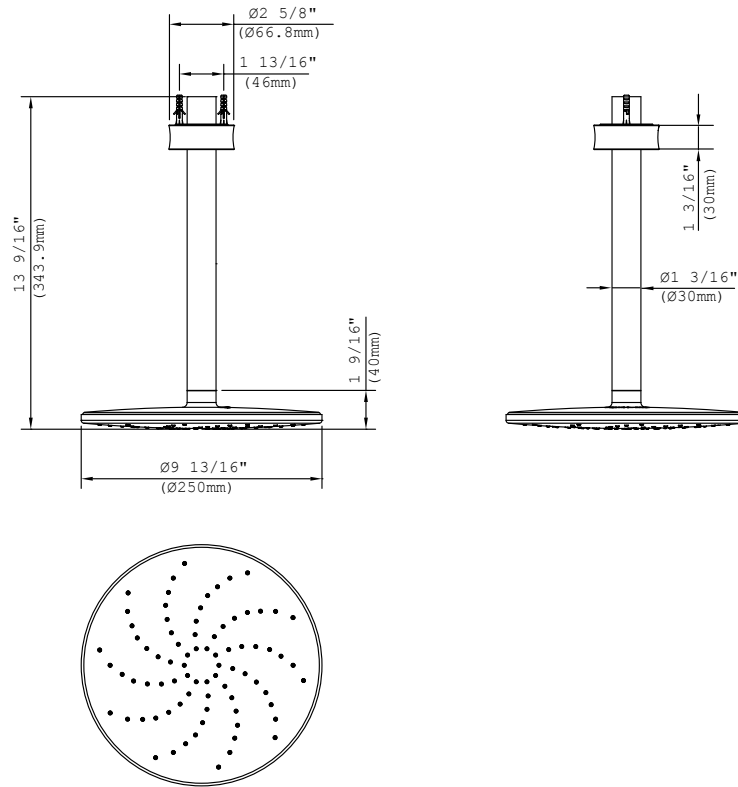
CODES/STANDARDS

- Certifications: IAPMO(cUPC)

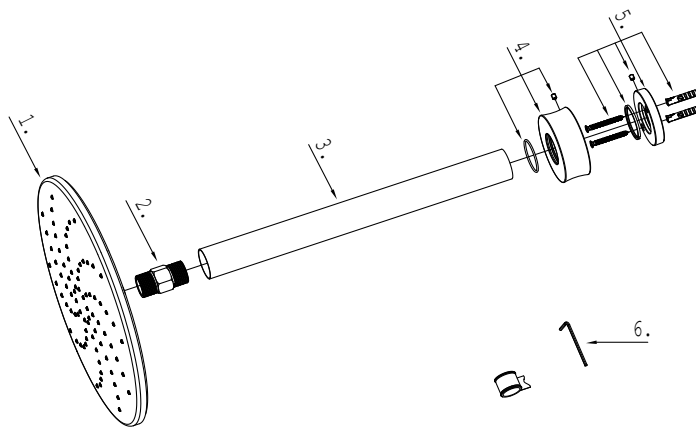




DIMENSIONS



SERVICE PARTS



- 1. 10" Shower Head (S1113A05)
- 2. Adaptor (A067684)
- 3. Connecting Tube (A035523)
- 4. Escutcheon Assembly (A603A19)
- 5. Mounting Kit (A663A90)
- 6. Allen Key (A031003)

COPYRIGHT © COOPER AND GRAHAM 2018. ALL RIGHTS RESERVED.