



EMILE SHOWER DOOR KNOB

FEATURES

- Solid brass construction
- Easy installation mounting brackets

COLORS/FINISHES

- #CP Polished Chrome
- #BN Brushed Nickel



INSTALLATION NOTES

Please refer to the installation manual for further instructions.

WARRANTY

- Five-year Limited Warranty for residential use
- One-year Limited Warranty for commercial use

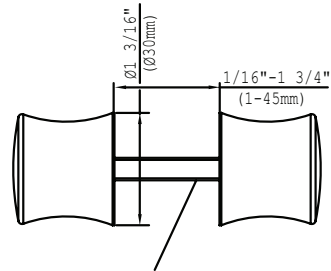
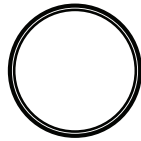
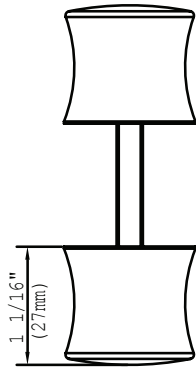
SHIPPING INFORMATION

Package Dimensions
2 3/16" x 2 3/16" x 3 15/16"
Package Weight
0.7 lbs

MATERIAL

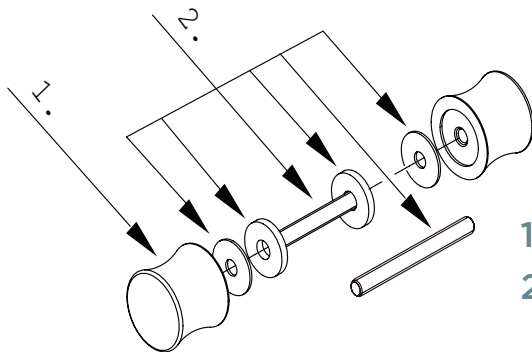
- Brass

DIMENSIONS



Screw (23403) M6x45mmL for door thick 1-25mm
 Screw (23407) M6x65mmL for door thick 26-45mm

SERVICE PARTS



1. Pull Knob (RB0127)
2. Holding Hardware (RB0131)