



EMILE 20" SHOWER DOOR HANDLE WITH KNOB

FEATURES

- Solid brass construction
- Easy installation mounting brackets

COLORS/FINISHES

- #CP Polished Chrome
- #BN Brushed Nickel



INSTALLATION NOTES

This product is designed to be installed on a glass shower door.

WARRANTY

- Five-year Limited Warranty for residential use
- One-year Limited Warranty for commercial use

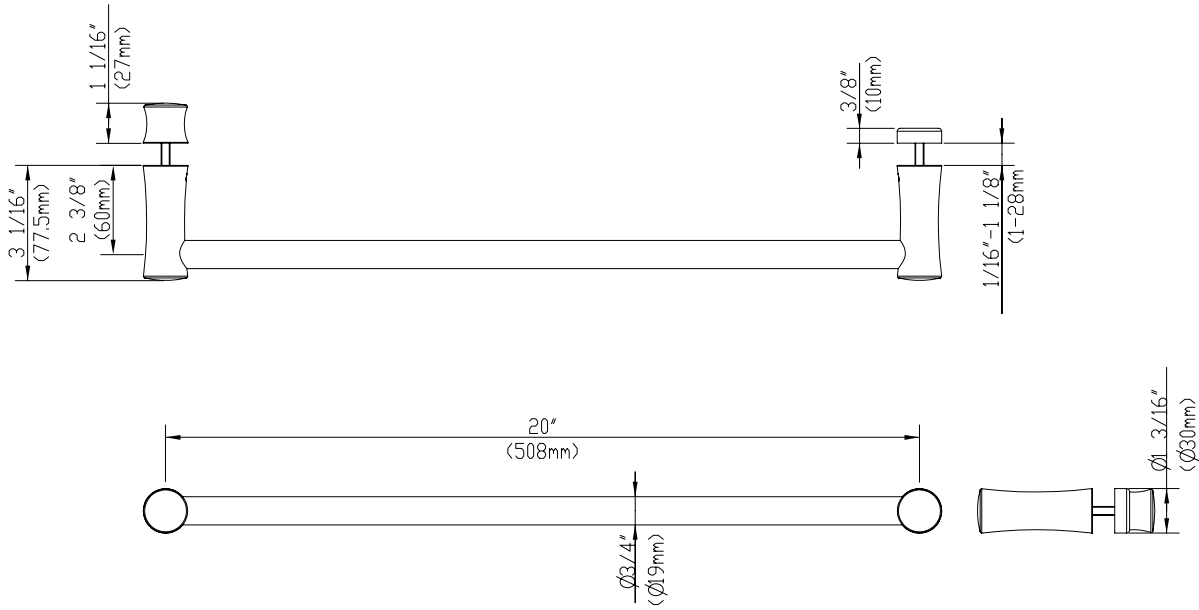
SHIPPING INFORMATION

Package Dimensions
22 1/16" x 5 6/16" x 2 3/16"
Package Weight
2.4 lbs

MATERIAL

- Brass

DIMENSIONS



SERVICE PARTS

