



EMILE 18" TOWEL RAIL

FEATURES

- Solid brass construction
- Easy installation mounting brackets

COLORS/FINISHES

- #CP Polished Chrome
- #BN Brushed Nickel



INSTALLATION NOTES

Please refer to the installation manual for further instructions.

WARRANTY

- Five-year Limited Warranty for residential use
- One-year Limited Warranty for commercial use

SHIPPING INFORMATION

Package Dimensions

24 5/8" x 4 5/16" x 2 3/16"

Package Weight

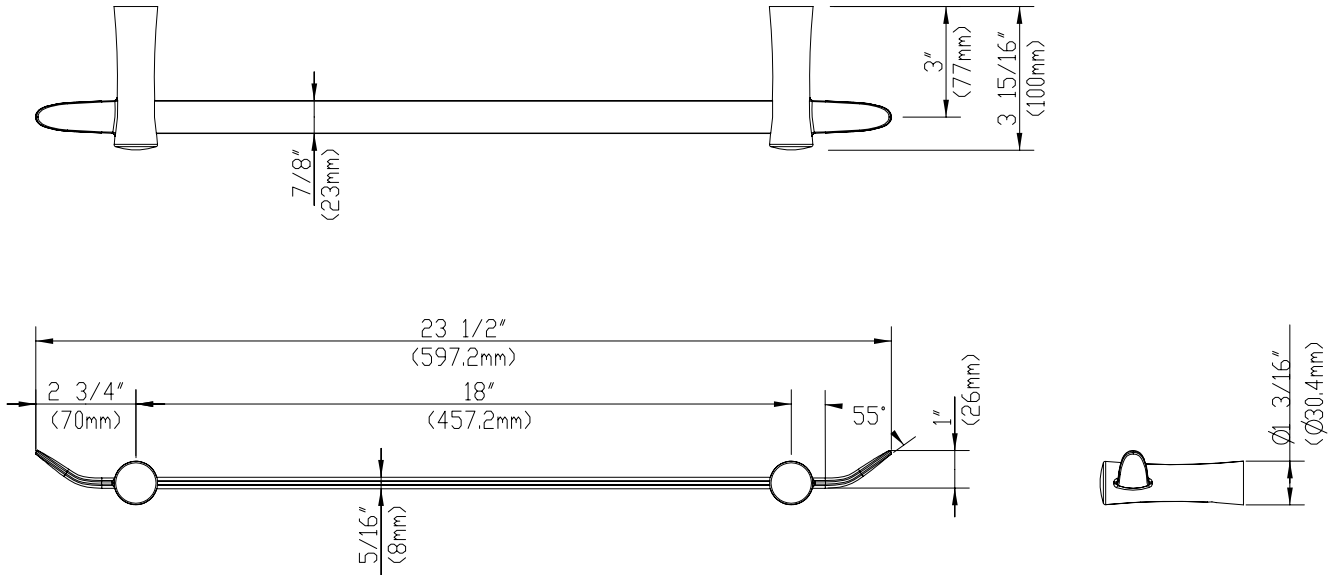
2.2 lbs

MATERIAL

- Brass
- Zinc



DIMENSIONS



SERVICE PARTS

