



## EMILE TWO-WAY DIVERTER TRIM

### FEATURES

---

- Solid brass construction
- Single lever extra long handle diverter trim

### COLORS/FINISHES

---

- #CP Polished Chrome
- #BN Brushed Nickel



### INSTALLATION NOTES

---

This product is designed for a wall mount by a licensed professional plumber. Please refer to the installation manual for further instructions.

### WARRANTY

---

- Five-year Limited Warranty for residential use
- One-year Limited Warranty for commercial use

### CODES/STANDARDS

---

- Meets A112.18.1M/A112.18.1
- Certifications: IAPMO(cUPC)
- ADA Compliant



### SHIPPING INFORMATION

---

Package Dimensions  
6 1/8" x 2 15/16" x 2 15/16"

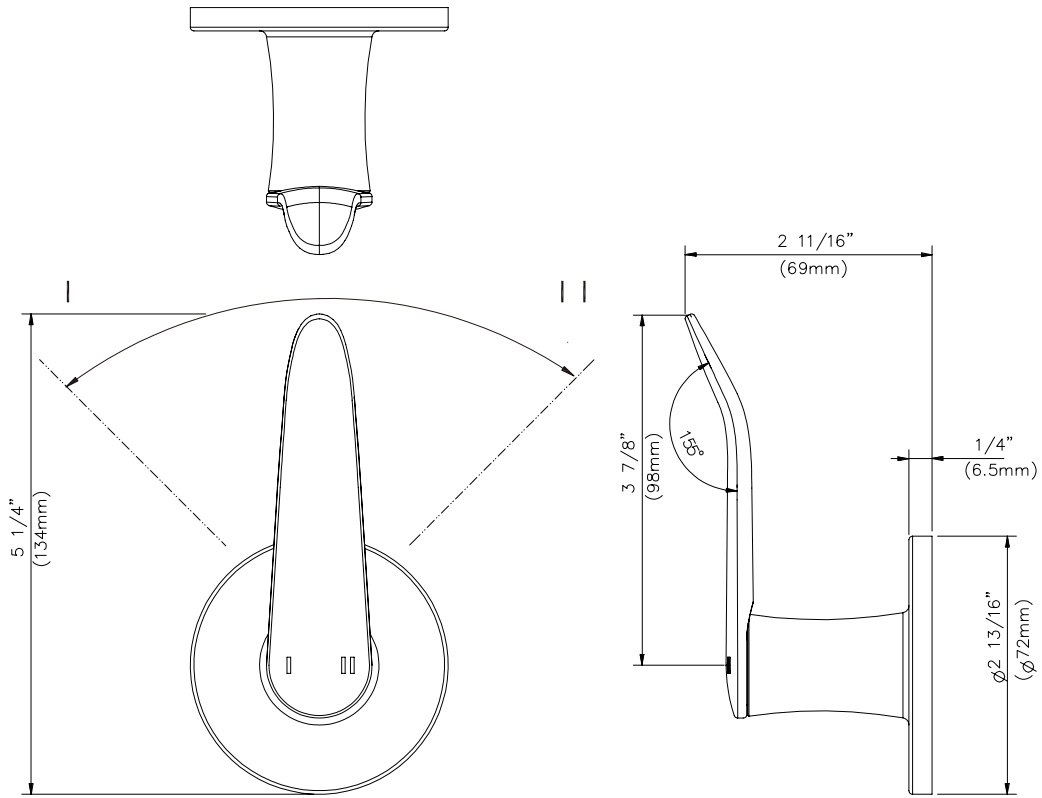
Package Weight  
0.44 lbs

### MATERIAL

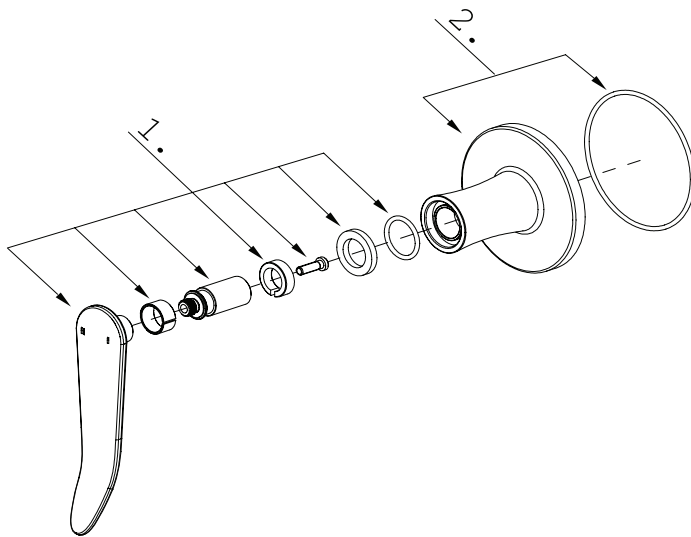
---

- Brass
- Zinc

## DIMENSIONS



## SERVICE PARTS



1. Lever Handle Assembly (A662A27-52)
2. Handle Base Assembly (A663A30)