



AIADES 20" SHOWER DOOR HANDLE

FEATURES

- Solid brass construction
- Easy installation mounting brackets

COLORS/FINISHES

- #CP Polished Chrome
- #NK Silver Nickel

INSTALLATION NOTES

This product is designed to be installed on a glass shower door.

WARRANTY

- Five-year Limited Warranty for residential use
- One-year Limited Warranty for commercial use

SHIPPING INFORMATION

Package Dimensions

22 7/16" x 4 5/8" x 1 15/16"

Package Weight

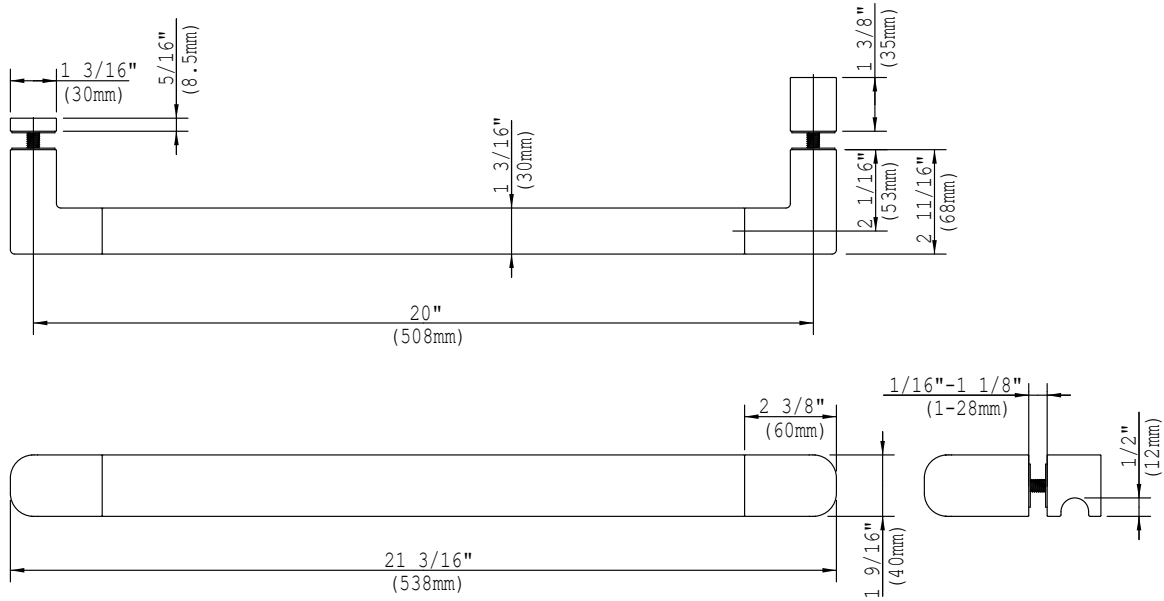
3.62 lbs

MATERIAL

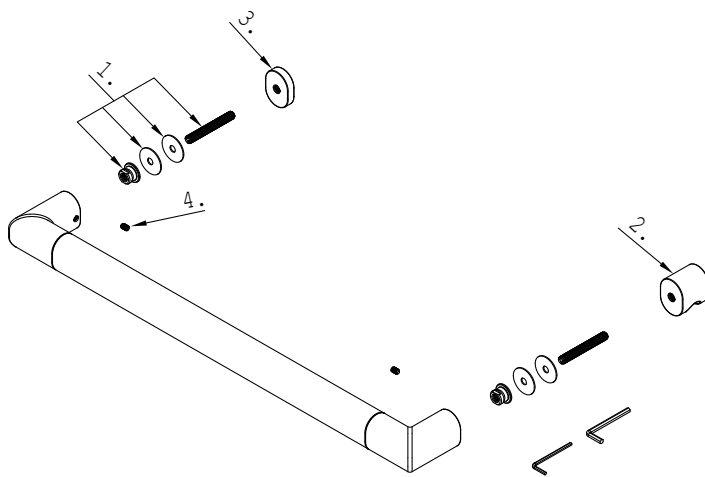
- Brass



DIMENSIONS



SERVICE PARTS



1. Holding Hardware (19AD27-PP01)
2. Pull Knob (19AD27-A014)
3. Fixed Seat (19AD27-A015)
4. Set Screw (SBH-M5X0_8X8)

DATE: 05 NOV 2020