

AIADES DOUBLE PAPER HOLDER

FEATURES

- Solid brass construction
- Easy installation mounting brackets

COLORS/FINISHES

- #CP Polished Chrome
- #NK Silver Nickel



INSTALLATION NOTES

Please refer to the installation manual for further instructions.

WARRANTY

- Five-year Limited Warranty for residential use
- One-year Limited Warranty for commercial use

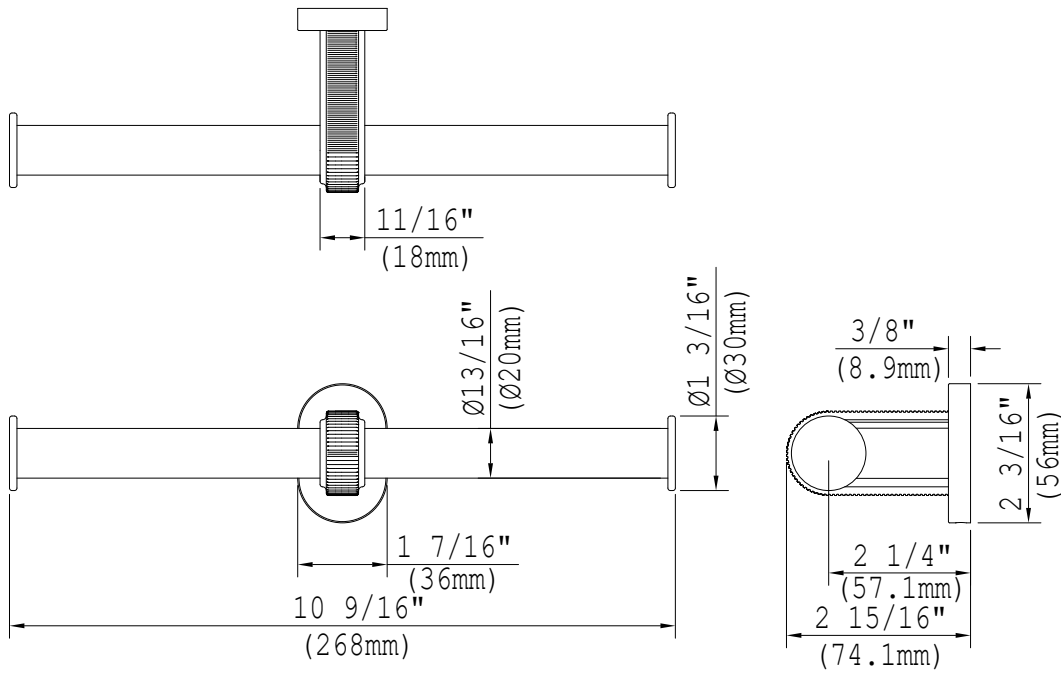
SHIPPING INFORMATION

Package Dimensions
12" x 4 5/8" x 2 3/4"
Package Weight
0.97 lbs

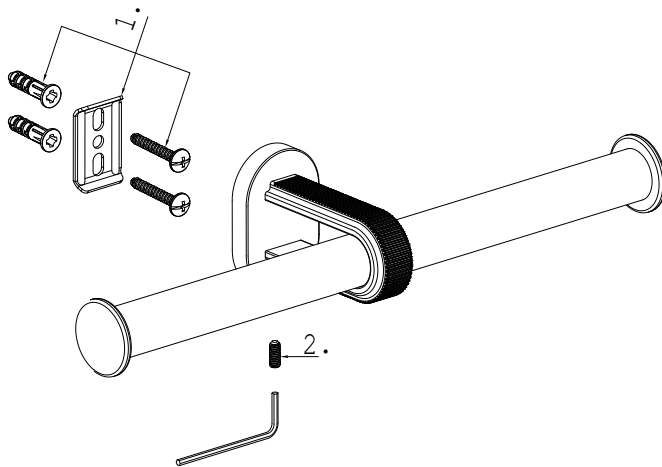
MATERIAL

- Brass

DIMENSIONS



SERVICE PARTS



1. Mounting Hardware (19AD22-PP01)
2. Set Screw (SBH-M4xO_7x10)