



AIADES SINGLE PAPER HOLDER

FEATURES

- Solid brass construction
- Easy installation mounting brackets

COLORS/FINISHES

- #CP Polished Chrome
- #NK Silver Nickel

INSTALLATION NOTES

This product is designed to be installed on a glass shower door.

WARRANTY

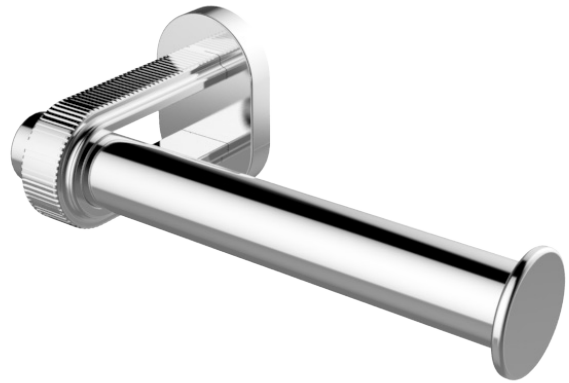
- Five-year Limited Warranty for residential use
- One-year Limited Warranty for commercial use

SHIPPING INFORMATION

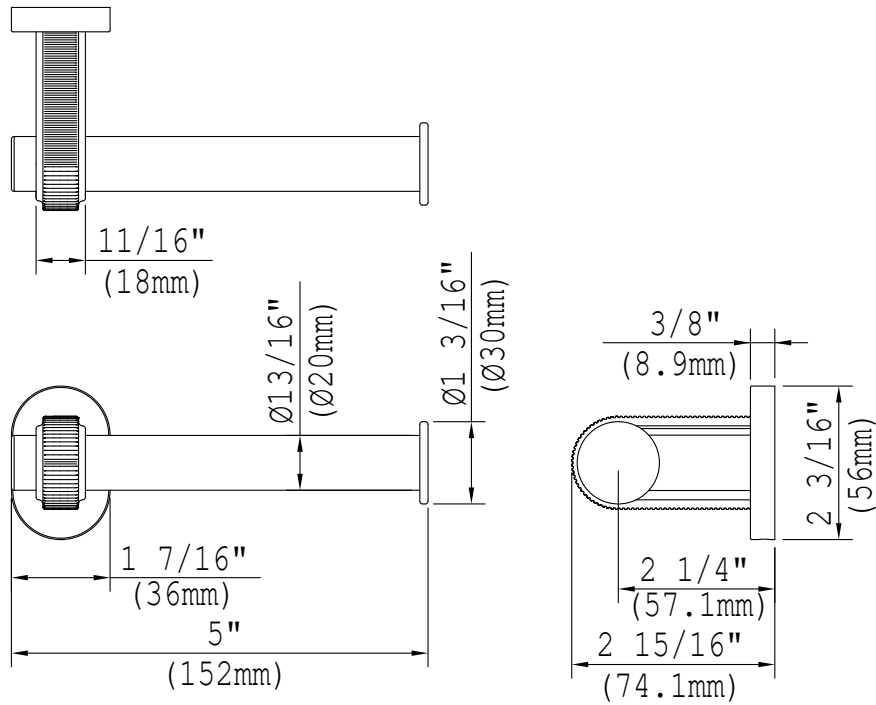
Package Dimensions
8 1/2" x 3 15/16" x 3 1/4"
Package Weight
0.81 lbs

MATERIAL

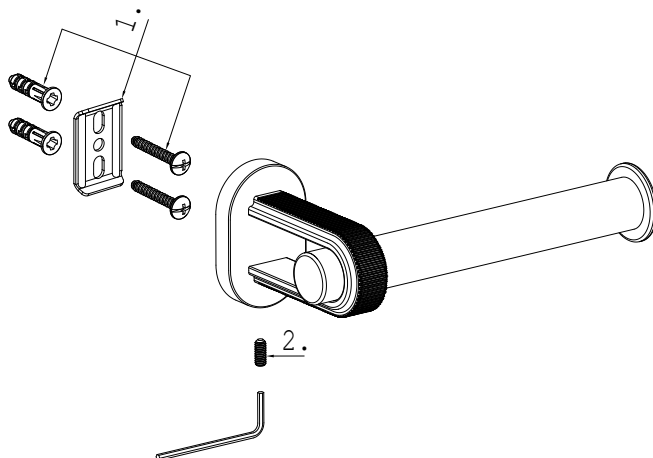
- Brass



DIMENSIONS



SERVICE PARTS



1. Mounting Hardware (19AD22-PP01)
2. Set Screw (SBH-M4xO_7x10)