



AIADES TOWEL BAR

FEATURES

- Metal construction design
- Easy installation mounting brackets

COLORS/FINISHES

- #CP Polished Chrome
- #NK Silver Nickel



INSTALLATION NOTES

Please refer to the installation manual for further instructions.

WARRANTY

- Five-year Limited Warranty for residential use
- One-year Limited Warranty for commercial use

SHIPPING INFORMATION

Package Dimensions

N/A

Package Weight

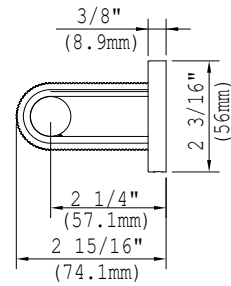
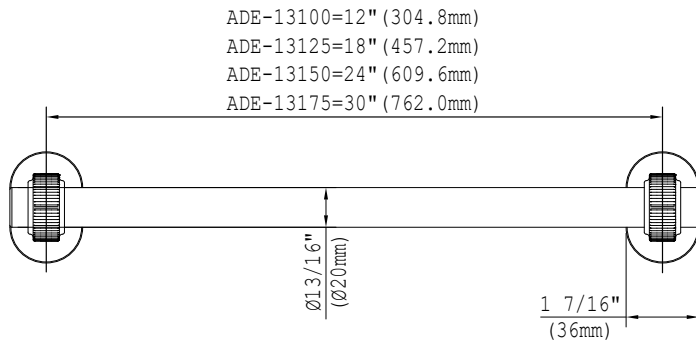
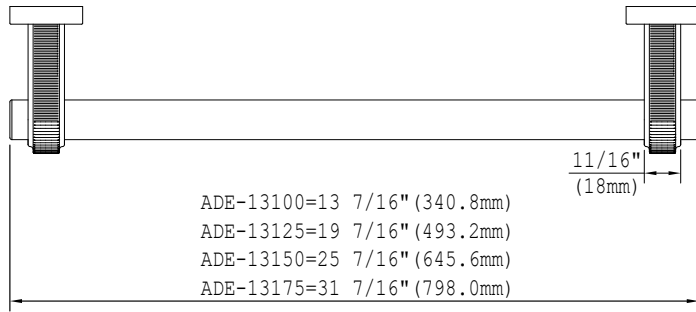
N/A lbs

MATERIAL

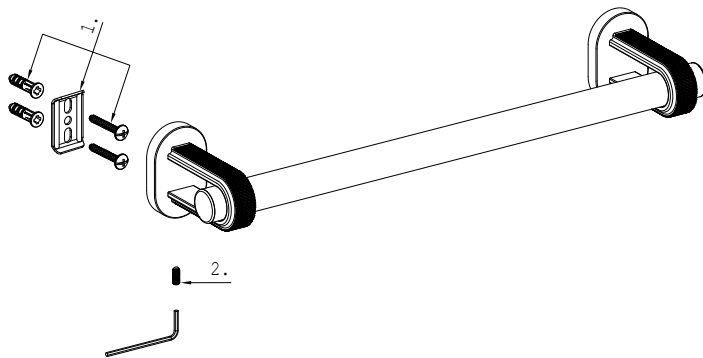
- Brass



DIMENSIONS



SERVICE PARTS



1. Mounting Hardware (19AD22-PP01)
2. Set Screw (SBH-M4x0_7x10)