

## CEILING MOUNT SHOWER ARM

### FEATURES

---

- Solid brass construction
- Ceiling mounted shower arm with adjustable length

### COLORS/FINISHES

---

- #CP Polished Chrome
- #NK Silver Nickel
- #BN Brushed Nickel
- #SF Special Finish (Inquired)

### INSTALLATION NOTES

---

This product is designed for ceiling mount by a licensed professional plumber. Please refer to the installation manual for further instructions.

### WARRANTY

---

- Five-year Limited Warranty for residential use
- One-year Limited Warranty for commercial use

### SHIPPING INFORMATION

---

Package Dimensions  
12 13/16" x 3 15/16" x 2 3/4"  
Package Weight  
1.5 lbs

### MATERIAL

---

- Brass



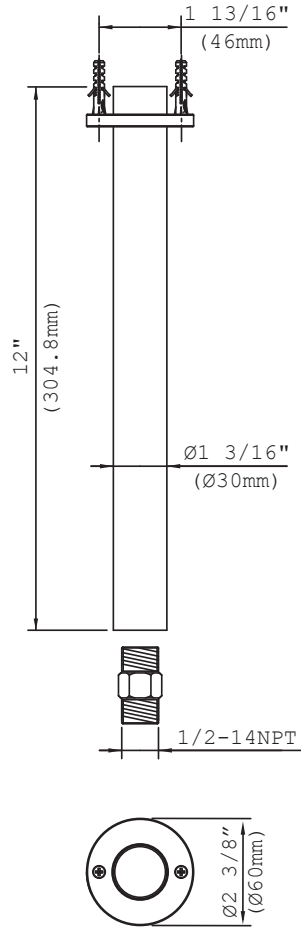
### CODES/STANDARDS

---

- Certifications: IAPMO(cUPC)



DIMENSIONS



SERVICE PARTS

**TO BE ADVISED**

COPYRIGHT © COOPER AND GRAHAM | OLIVIA AUSTIN 2019. ALL RIGHTS RESERVED.