



EMILE OVAL ROSE SPECIALTY AND KEYED APPLICATION TRIMS

FUNCTIONS

- Euro Mortise EMI-19522
- ANSI Mortise EMI-19532
- Electronic entry EMI-19542

FEATURES

- Emile solid brass lever and brass trim
- 165 x 73MM oval brass Emile cover plate
- CSS- Concealed Screw System
- Steel under-mount chassis for strength
- Standard door thickness 1-1/2" to 2-1/4"
- Multiple backsets
- Special features
 - Can be modified to a variety of formats



COLORS/FINISHES

- #CP Polished Chrome
- #BN Brushed Nickel
- #SF Special Finish (Inquire)

WARRANTY

- Five-year Limited Warranty for residential use
- One-year Limited Warranty for commercial use

MATERIAL

- Brass

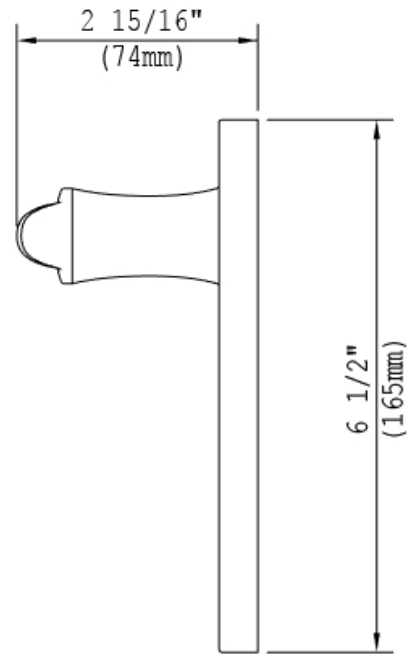
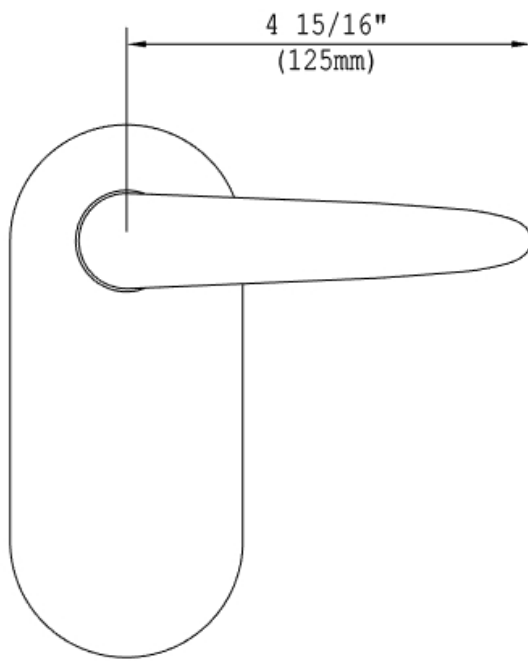
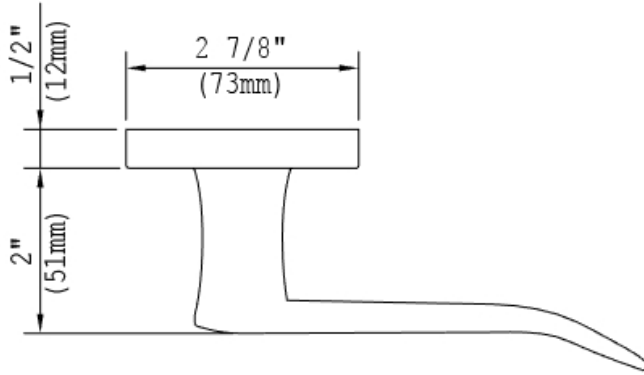
CODES/STANDARDS

- ADA compliant





DIMENSIONS



COPYRIGHT © COOPER AND GRAHAM 2018. ALL RIGHTS RESERVED.