

## EMILE HAND SHOWER

### FEATURES

- Solid brass construction
- Single function handshower
- Integrated check valve
- Certified low flow rate of 1.75gpm (6.6L/min)max

### COLORS/FINISHES

- #CP Polished Chrome
- #BN Brushed Nickel

### INSTALLATION NOTES

This product is designed for fitting with shower valve installation by a licensed professional plumber. Please refer to the installation manual for further instructions.

Please note this item has a hand shower warning.

### WARRANTY

- Five-year Limited Warranty for residential use
- One-year Limited Warranty for commercial use

### SHIPPING INFORMATION

Package Dimensions  
10 5/8" x 4 1/8" x 2 3/16"  
Package Weight  
0.88 lbs

### MATERIAL

- Brass
- Plastic



### FLOW RATE

1.75 gpm (6.6 L/min) Max Flow @ 80 psi

#### PLEASE NOTE:

Final achievable flow rate is dependent on the outlets fitted, see relevant outlets (spouts, rose, sprays) for assembled product flow rate.

#### WARNING!

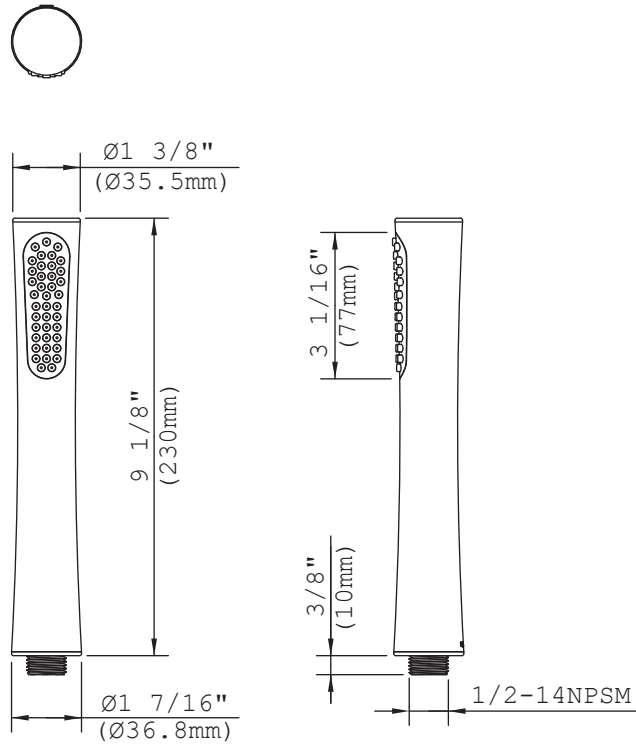
For use with automatic compensating valves rated at 1.5 gpm(5.7 L/min) or less.

### CODES/STANDARDS

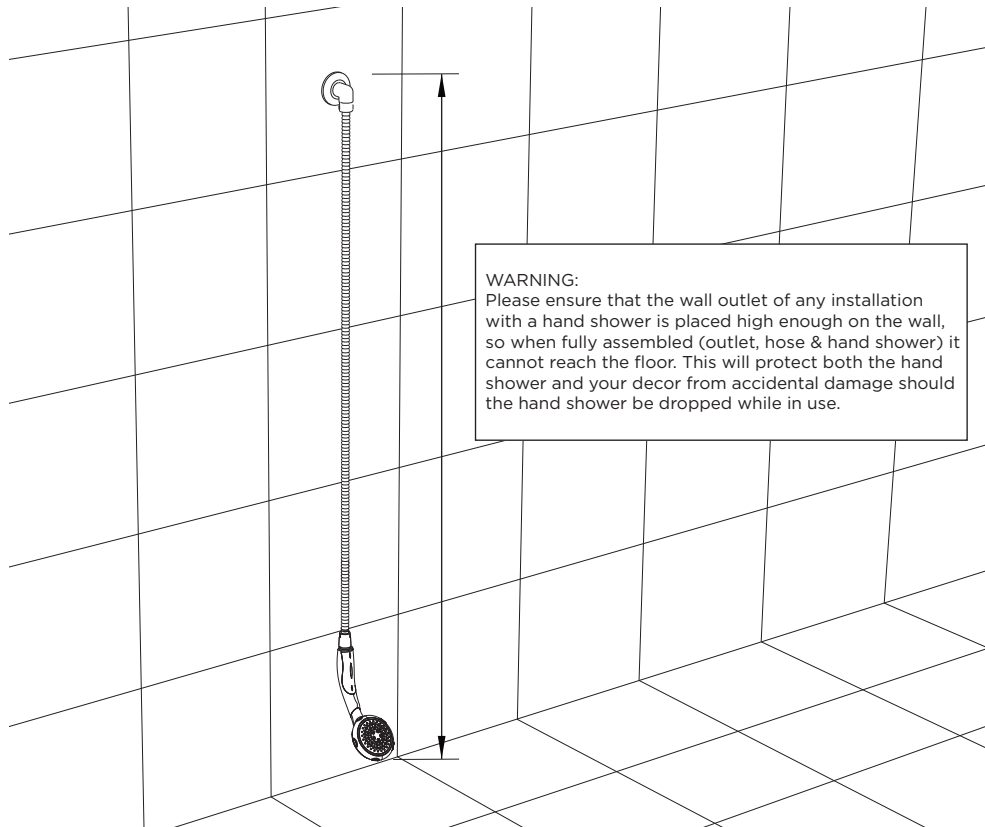
- Certifications: IAPMO(cUPC)
- Certifications: WaterSense(EPA)



DIMENSIONS



IMPORTANT INFORMATION



**WARNING:**  
Please ensure that the wall outlet of any installation with a hand shower is placed high enough on the wall, so when fully assembled (outlet, hose & hand shower) it cannot reach the floor. This will protect both the hand shower and your decor from accidental damage should the hand shower be dropped while in use.

COPYRIGHT © COOPER AND GRAHAM 2018. ALL RIGHTS RESERVED.