



EMILE SINGLE PAPER HOLDER

FEATURES

- Metal construction design
- Easy installation mounting brackets

COLORS/FINISHES

- #CP Polished Chrome
- #BN Brushed Nickel



INSTALLATION NOTES

Please refer to the installation manual for further instructions.

WARRANTY

- Five-year Limited Warranty for residential use
- One-year Limited Warranty for commercial use

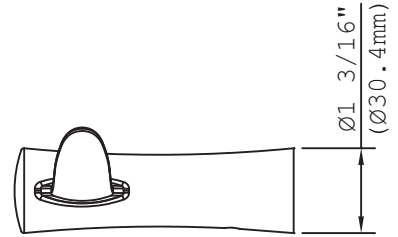
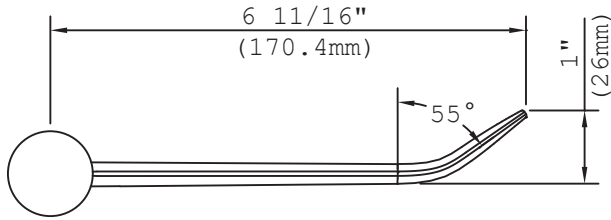
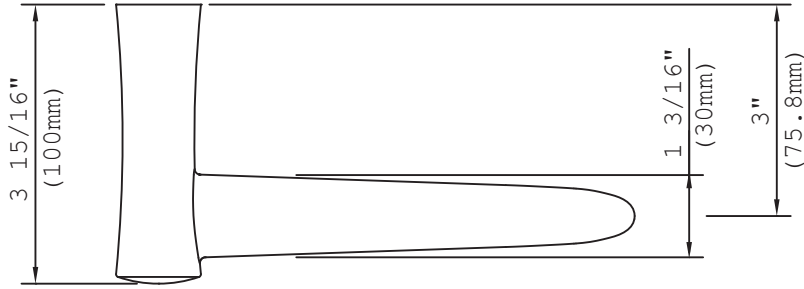
SHIPPING INFORMATION

Package Dimensions
8 7/16" x 4 5/16" x 2 3/16"
Package Weight
0.7 lbs

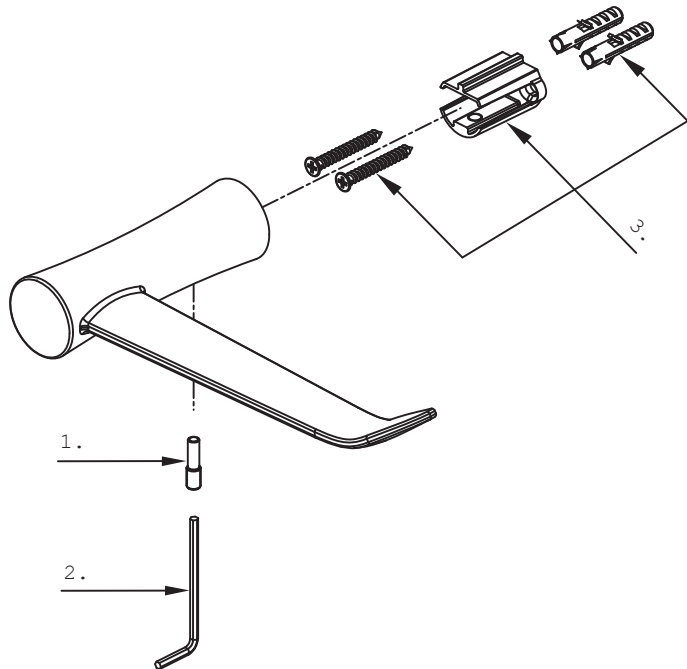
MATERIAL

- Brass
- Zinc

DIMENSIONS



SERVICE PARTS



- 1. Screw (M5*19mm L) (RB0123)
- 2. Allen Key (A031000)
- 3. Mounting Hardware (RB0125)

COPYRIGHT © COOPER AND GRAHAM 2018. ALL RIGHTS RESERVED.