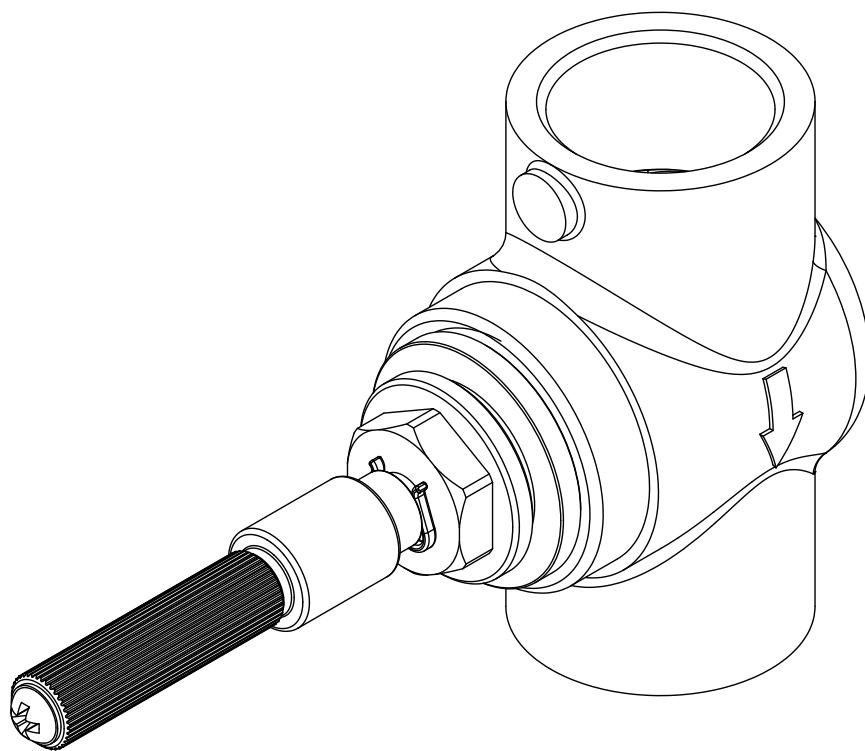


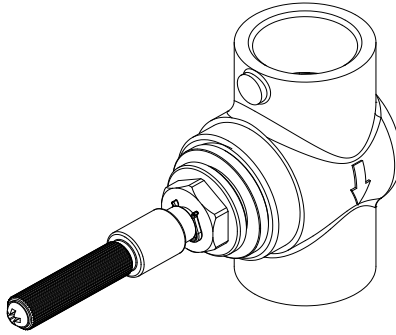
# INSTALLATION INSTRUCTIONS



**WALL FLOW CONTROL  
ROUGH-IN VALVE**

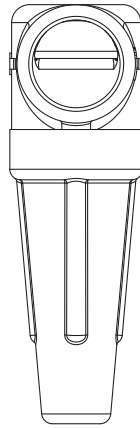
# DIMENSIONS In Inches & Millimetres

## WALL FLOW CONTROL ROUGH-IN VALVE



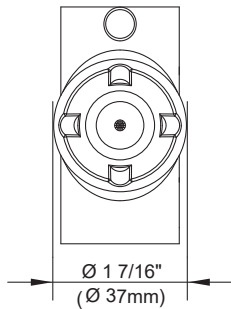
---

### TOP VIEW

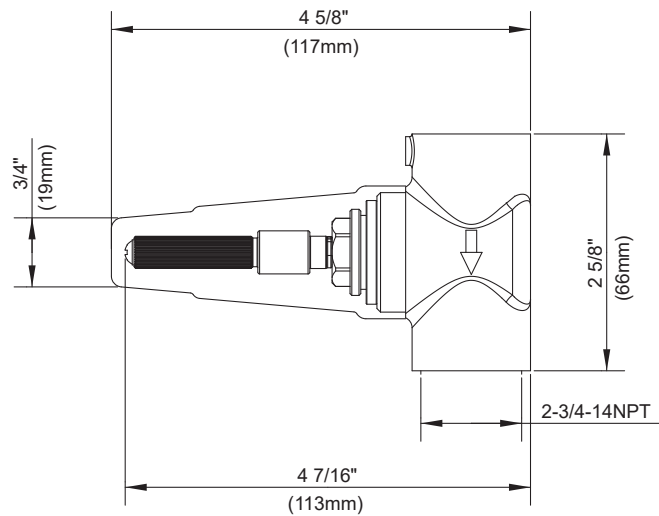


---

### FRONT VIEW



### SIDE VIEW



# PRODUCT INFORMATION

## TOOLS



Groove Joint Pliers



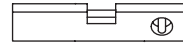
Adjustable Wrench



Hacksaw



Phillips  
Screwdriver



Level



Pipe Tape



Spatula

## MAINTENANCE

- Your new product is designed for years of trouble-free performance.
- Keep it looking new by cleaning it periodically with a soft cloth. Avoid abrasive cleaners, wire wool and harsh chemicals as these will dull the finish and void your warranty.

## IMPORTANT POINTS

- Prior to beginning installation, turn off the cold and hot water lines. If applicable, open the existing valve to release built-up pressure.
- Overtightening nuts may cause damage.
- Wrap all threaded connections with pipe tape available at your local plumbing supply store. Always wrap in clockwise direction. The fittings should be installed by a state licensed plumber.
- Note: When there is a difference in water pressure between hot and cold supplies to the mixing valve, the pressures should be equalized by a plumber in accordance with best practice and legislation.
- Note: This product is designed to function as part of the water system at a supply pressure between 140 and 860 kPa (20 and 125 psi). The leakage test to the water system should be carried out using water as this product contains the components are specifically designed for water, for which the viscosity and surface tension are much greater comparing to air or gas, both of these are unique forces that resist the tendency of water to flow, particularly through a small opening, however at the same condition the air or gas might be able to escape through. In the exceptional circumstances should pneumatic pressure testing using compressed inert gas or air be used, the pressure should be equal or less than 3bar. Conducting the pneumatic pressure test at a higher pressure can be very hazardous not only to the person who does the test, but also to the product itself or the users. Due to the air or gas is very compressible, the same pressure of compressed air or gas contains much more energy than the liquid therefore should a joint, pipe, or any other component fail under test pressure when using compressed air or gas, the energy can be released with dangerous force to human or damaging the system.

## SAFETY TIPS

- Warning: This product might require to be installed with an automatic temperature compensating device to reduce the risk of scalding and thermal shock. Check with the local plumbing code requirement before installation. The product should be installed by the local licensed plumber.
- If you are soldering during faucet installation, remove cartridges, seats, gaskets and washers prior to applying flame, otherwise you will void the warranty.
- When cutting or soldering pipe, use safety glasses to protect your eyes.
- Cover drain openings to avoid losing small parts.

## CODES/STANDARDS

- Certification: IAPMO(cUPC)



## FLOW RATE

12.95 gpm (49L/min) @ 60 psi

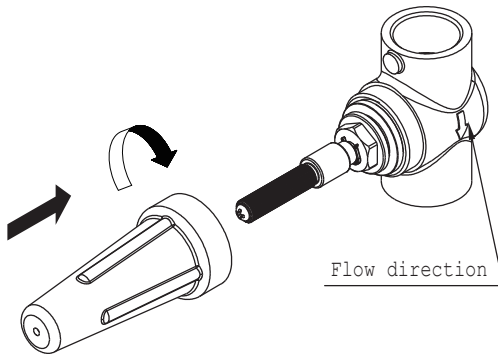
PLEASE NOTE: Final achievable flow rate is dependent on the outlets fitted, see relevant outlets (spouts, rose, sprays) for assembled product flow rate.

# INSTALLATION METHOD

STEPS 1-2

We always recommend that plumbing products be installed by a licensed professional.

1.

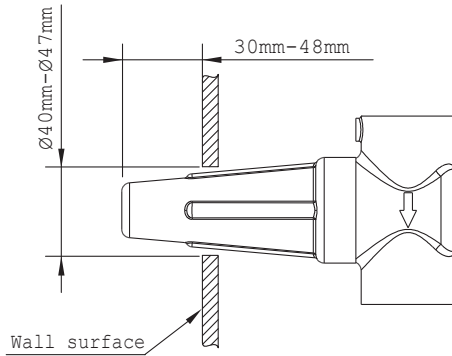


Attach the protective cap to the valve. Please take a note on the flow direction you desire.

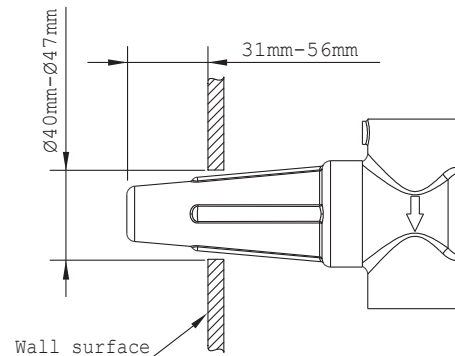
2.

While placing the valve into the wall cavity for installation, make sure the protective cap protruded out from the wall surface distance is indicated as step 2.

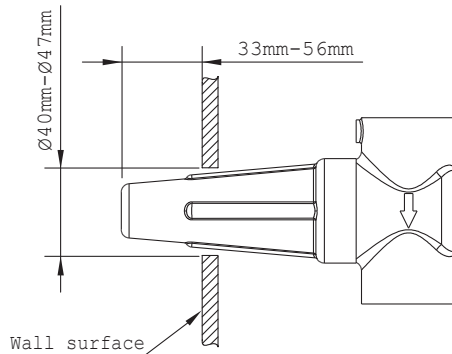
For trim: CB-1015, CW-1015,  
GRA-12700, ELS-12700



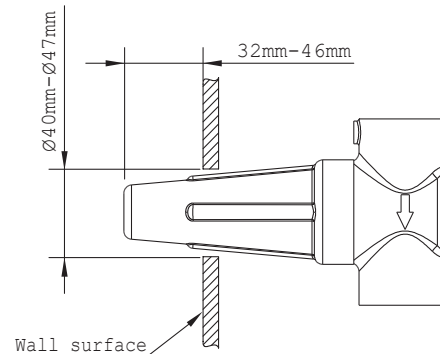
For trim: K1-1014, K1-1015,  
GWA-12750, GWA-12700



For trim: M1-1014, M1-1015,  
ZEC-12750, ZEC-12700

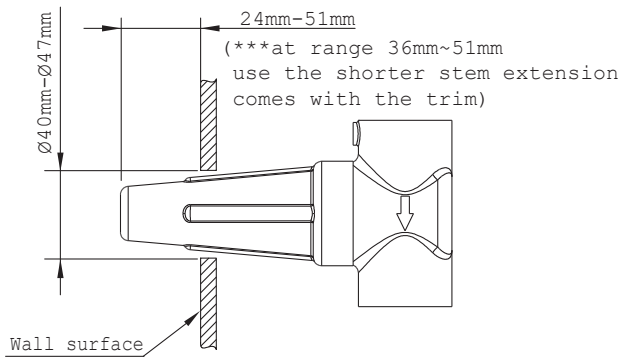


For trim: X1-1000, ZEN-12700

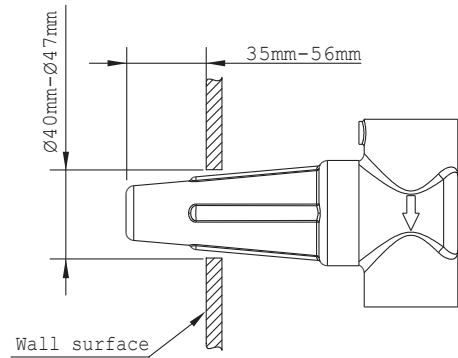


We always recommend that plumbing products be installed by a licensed professional.

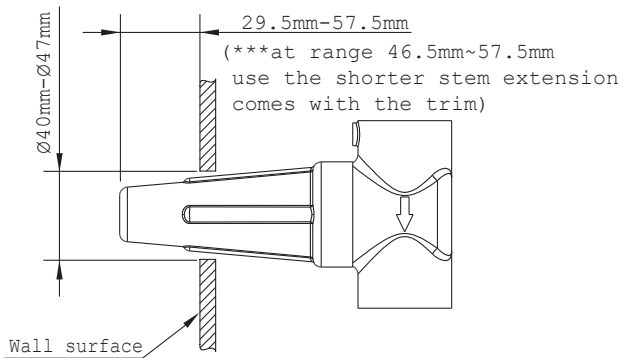
For trim: EMI-12700



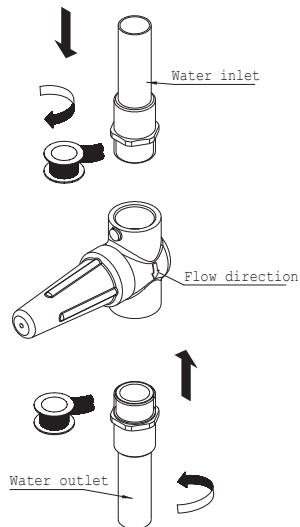
For trim: REE-12700



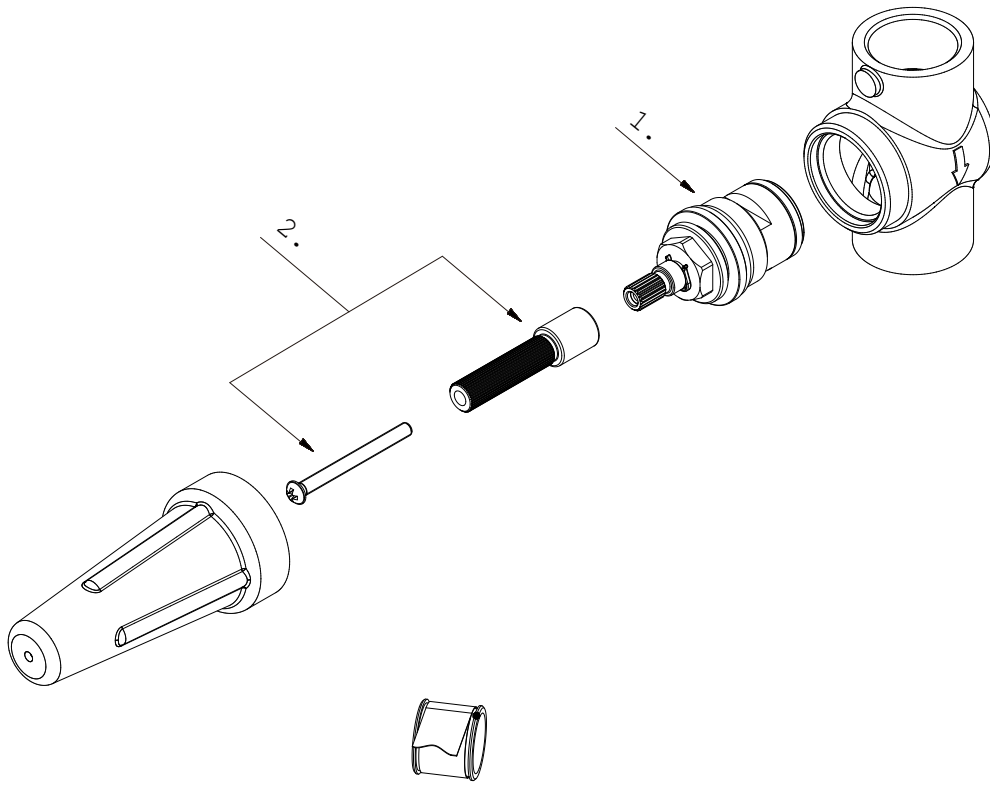
For trim: ADE-12700



## 3.



Connect the valve inlet and outlet with water pipes.



1. Cartridge Assembly (A507455)
2. Stem Extension (A66G160)



