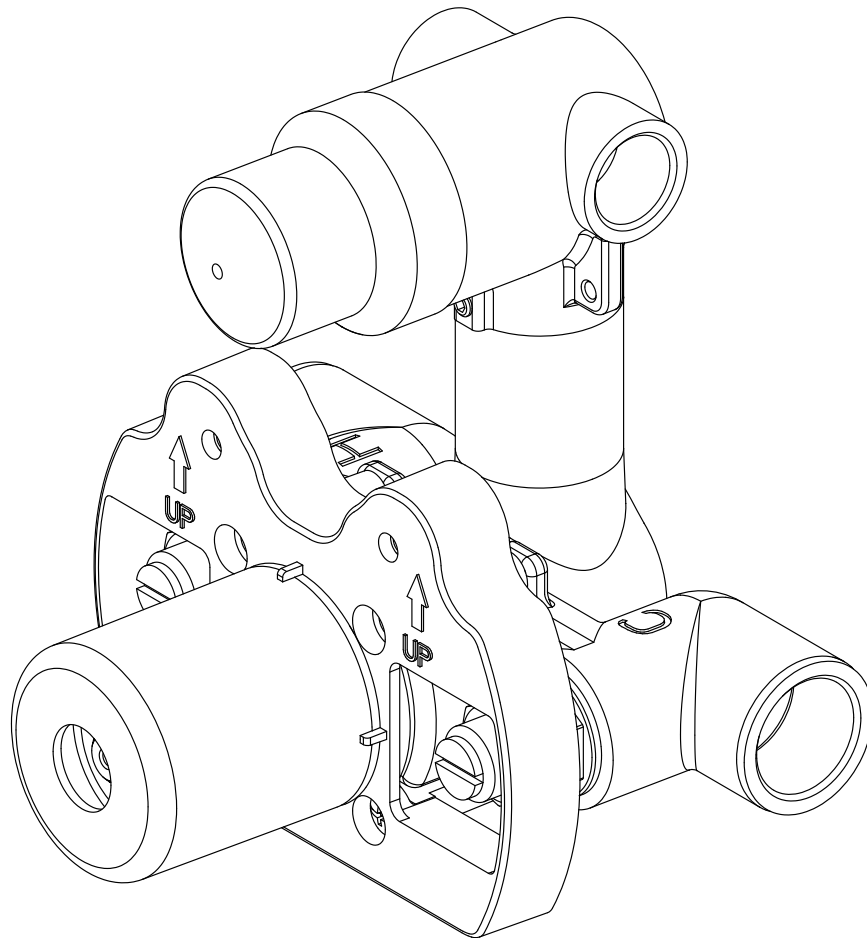


INSTALLATION INSTRUCTIONS

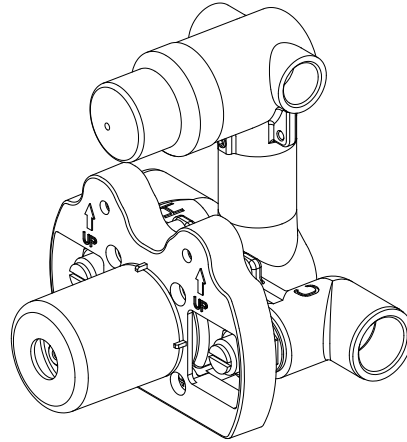


**THERMOSTATIC WITH DUAL DIVERTER/
VOLUME CONTROL ROUGH-IN VALVE**

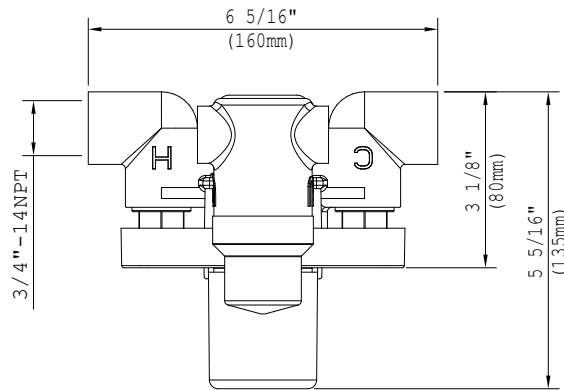
OAN-20275

DIMENSIONS In Inches & Millimetres

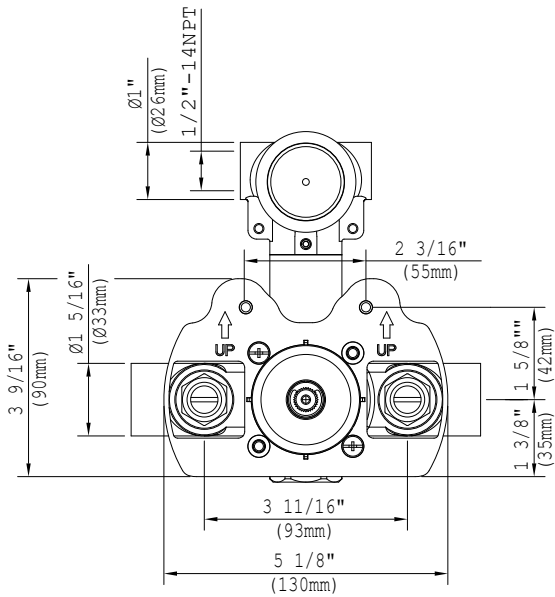
THERMOSTATIC WITH DUAL DIVERTER/VOLUME CONTROL ROUGH-IN VALVE



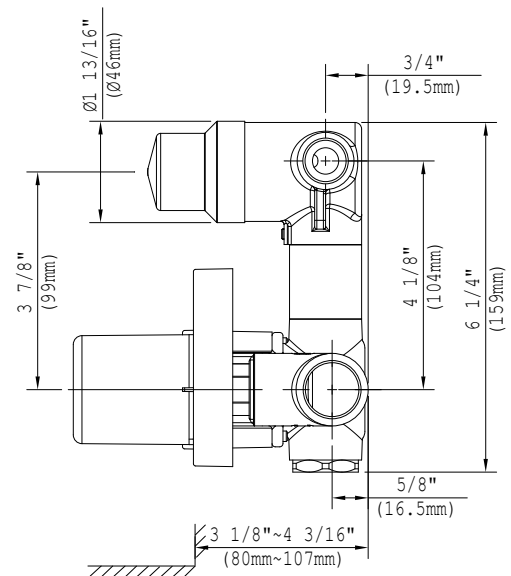
TOP VIEW



FRONT VIEW



SIDE VIEW



PRODUCT INFORMATION

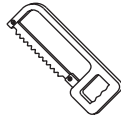
TOOLS



Groove Joint Pliers



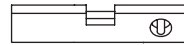
Adjustable Wrench



Hacksaw



Phillips
Screwdriver



Level



Pipe Tape



Spatula

MAINTENANCE

- Your new product is designed for years of trouble-free performance.
- Keep it looking new by cleaning it periodically with a soft cloth. Avoid abrasive cleaners, wire wool and harsh chemicals as these will dull the finish and void your warranty.

IMPORTANT POINTS

- Prior to beginning installation, turn off the cold and hot water lines. If applicable, open the existing valve to release built-up pressure.
- Overtightening nuts may cause damage.
- Wrap all threaded connections with pipe tape available at your local plumbing supply store. Always wrap in clockwise direction. The fittings should be installed by a state licensed plumber.
- Note: When there is a difference in water pressure between hot and cold supplies to the mixing valve, the pressures should be equalized by a plumber in accordance with best practice and legislation.
- Note: This product is designed to function as part of the water system at a supply pressure between 140 and 860 kPa (20 and 125 psi). The leakage test to the water system should be carried out using water as this product contains the components are specifically designed for water, for which the viscosity and surface tension are much greater comparing to air or gas, both of these are unique forces that resist the tendency of water to flow, particularly through a small opening, however at the same condition the air or gas might be able to escape through. In the exceptional circumstances should pneumatic pressure testing using compressed inert gas or air be used, the pressure should be equal or less than 3bar. Conducting the pneumatic pressure test at a higher pressure can be very hazardous not only to the person who does the test, but also to the product itself or the users. Due to the air or gas is very compressible, the same pressure of compressed air or gas contains much more energy than the liquid therefore should a joint, pipe, or any other component fail under test pressure when using compressed air or gas, the energy can be released with dangerous force to human or damaging the system.

SAFETY TIPS

- If you are soldering during faucet installation, remove cartridges, seats, gaskets and washers prior to applying flame, otherwise you will void the warranty.
- When cutting or soldering pipe, use safety glasses to protect your eyes.
- Cover drain openings to avoid losing small parts.

CODES/STANDARDS

- Meets ASSE 1016
- Certifications: IAPMO(cUPC)



FLOW RATE

14.9 gpm (L/min) @ 60 psi

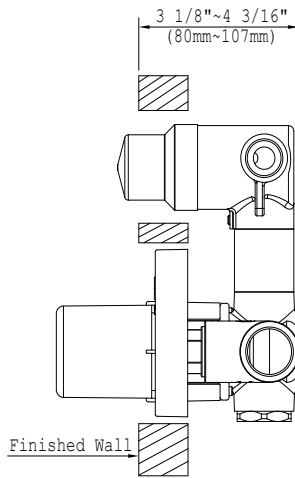
PLEASE NOTE: Final achievable flow rate is dependent on the outlets fitted, see relevant outlets (spouts, rose, sprays) for assembled product flow rate.

INSTALLATION METHOD

STEPS 1-3

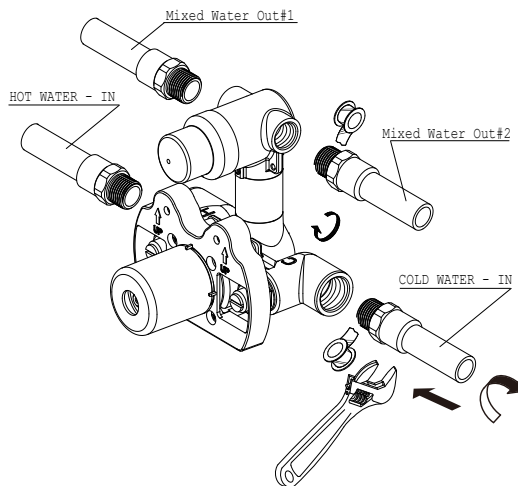
We always recommend that plumbing products be installed by a licensed professional.

1.



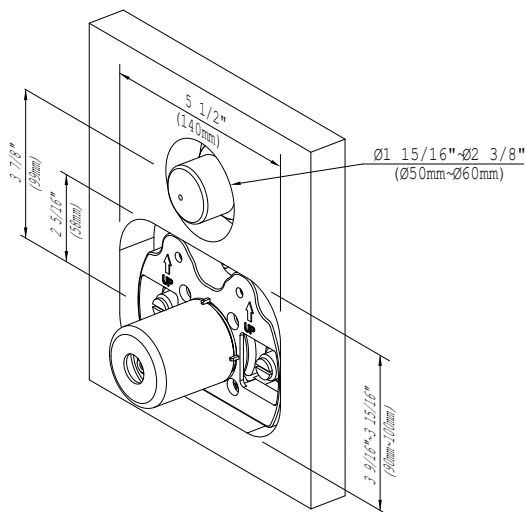
Position valve into the wall as the figure instructed. Please note that a distance between 80mm~107mm from the wall surface to the rear of the valve should be left so that the trim can be fitted correctly.

2.



Connect water supply piping.

3.



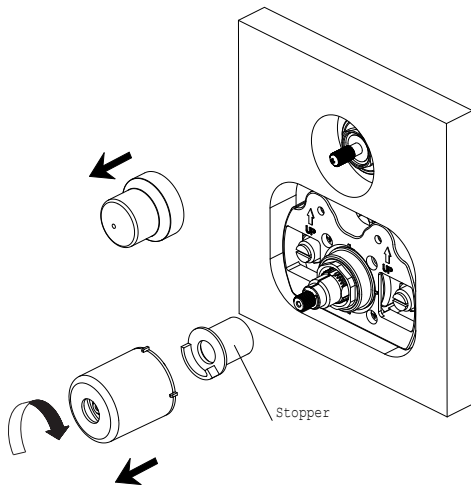
Cut a hole on the wall surface for fitting the trim kit. The hole dimension is as shown.

INSTALLATION METHOD

STEPS 4-6

We always recommend that plumbing products be installed by a licensed professional.

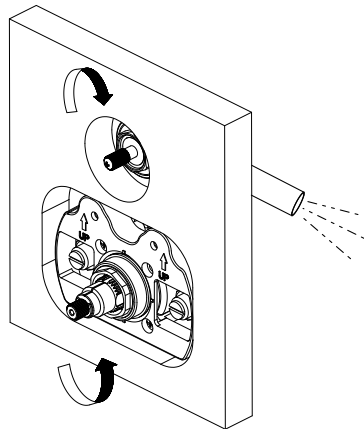
4.



Throw away the protective caps only when the building construction is completed and you are ready to fit the trim kit. Take out the stopper.

Warning: Remove cap only, keep the rest of the mud guard as it is needed to hold the trim fixing screws.

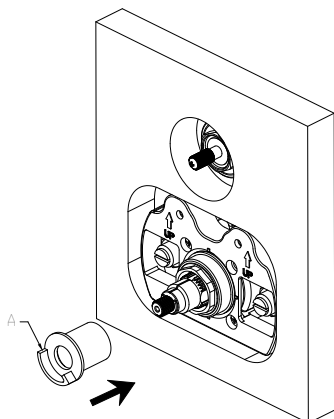
5.



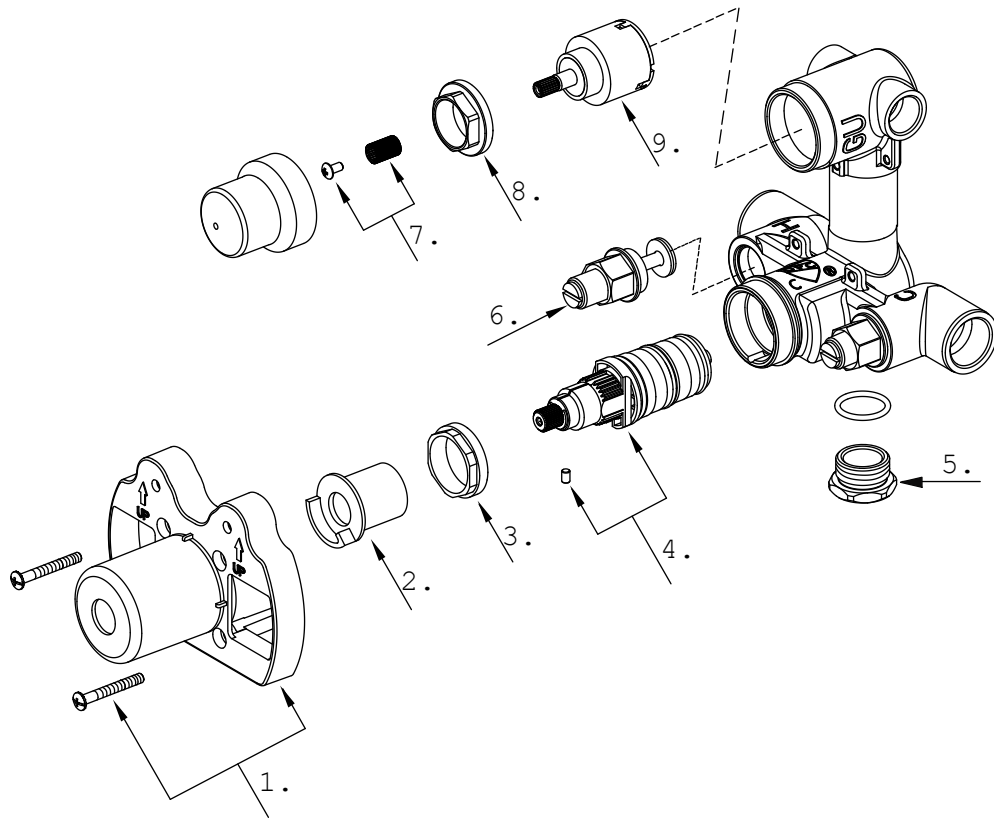
Turn on the dual diverter/volume control. Turn the thermostatic cartridge till you get the water temperature at 38°C.

Suggestion: attach a hose to the outlet and guide water to basin or a receiver to get the temperature and prevent it from wetting the floor.

6.



Fix the stopper and make sure its "A" plane as mentioned is horizontal and on the left side.



- | | |
|--|--|
| 1. Thermo Mudguard Kit (A663B32) | 6. Check Valve Assembly (A603923) |
| 2. Stopper (A049108) | 7. Screw and Adaptor (A66G435) |
| 3. Adjusting Ring (A104061) | 8. Adjusting Ring (A104289) |
| 4. Thermo Cartridge Assembly (A663A26) | 9. Diverter/Vol Control Cartridge (A507775N) |
| 5. Plug (A028604) | |

FOR ADDITIONAL ASSISTANCE OR SERVICE CALL
T: 929.432.1699 | F: 929.432.1833

9AM-5PM EST, MONDAY - FRIDAY

CUSTOMERSERVICE@COOPERANDGRAHAM.COM | CUSTOMERSERVICE@OLIVIAAUSTIN.COM

COOPER AND GRAHAM | OLIVIA AUSTIN

1828 TROUTMAN STREET, RIDGEWOOD, NY, 11385