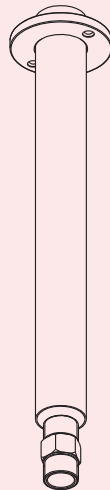




OLIVIA AUSTIN

20TH CENTURY CLASSIC

INSTALLATION INSTRUCTIONS

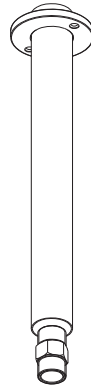


CEILING MOUNT SHOWER ARM

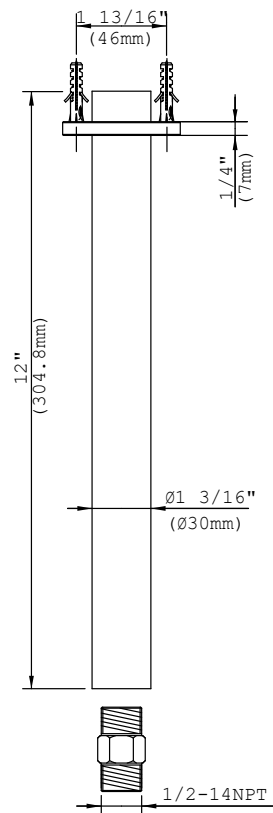
OAN-17150

DIMENSIONS IN INCHES & MILLIMETRES

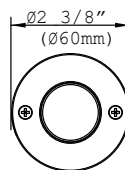
CEILING MOUNT SHOWER ARM



FRONT VIEW



BOTTOM VIEW

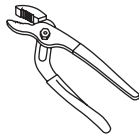


PRODUCT INFORMATION

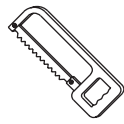
TOOLS



Groove Joint Pliers



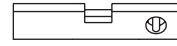
Adjustable Wrench



Hacksaw



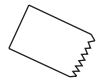
Phillips
Screwdriver



Level



Pipe Tape



Spatula

MAINTENANCE

- Your new Olivia Austin product is designed for years of trouble-free performance.
- Keep it looking new by cleaning it periodically with a soft cloth. Avoid abrasive cleaners, wire wool and harsh chemicals as these will dull the finish and void your warranty.

IMPORTANT POINTS

- Prior to beginning installation, turn off the cold and hot water lines. If applicable, open the existing valve to release built-up pressure.
- Overtightening nuts may cause damage.
- Wrap all threaded connections with pipe tape available at your local plumbing supply store. Always wrap in clockwise direction. The fittings should be installed by a licensed plumber.
- Note: When there is a difference in water pressure between hot and cold supplies to the mixing valve, the pressures should be equalized by a plumber in accordance with best practice and legislation.
- Note: This product is designed to function as part of the water system at a supply pressure between 140 and 860 kPa (20 and 125 psi). The leakage test to the water system should be carried out using water as this product contains the components are specifically designed for water, for which the viscosity and surface tension are much greater comparing to air or gas, both of these are unique forces that resist the tendency of water to flow, particularly through a small opening, however at the same condition the air or gas might be able to escape through. In the exceptional circumstances should pneumatic pressure testing using compressed inert gas or air be used, the pressure should be equal or less than 3bar. Conducting the pneumatic pressure test at a higher pressure can be very hazardous not only to the person who does the test, but also to the product itself or the users. Due to the air or gas is very compressible, the same pressure of compressed air or gas contains much more energy than the liquid therefore should a joint, pipe, or any other component fail under test pressure when using compressed air or gas, the energy can be released with dangerous force to human or damaging the system.

SAFETY TIPS

- If you are soldering during installation, if applicable, remove cartridges, seats, gaskets and washers prior to applying them, otherwise you will void the warranty.
- When cutting or soldering pipe, use safety glasses to protect your eyes.
- If applicable, cover drain openings to avoid losing small parts.

CODES/STANDARDS

- Certifications: IAPMO(cUPC)

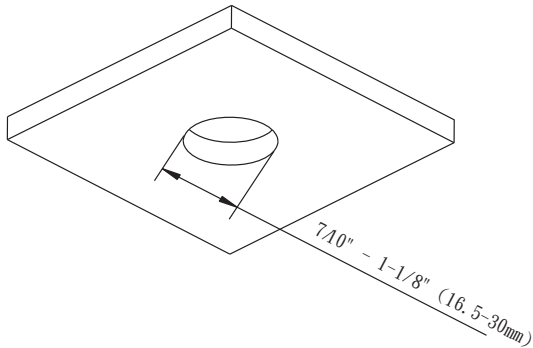


INSTALLATION METHOD

STEPS 1-3

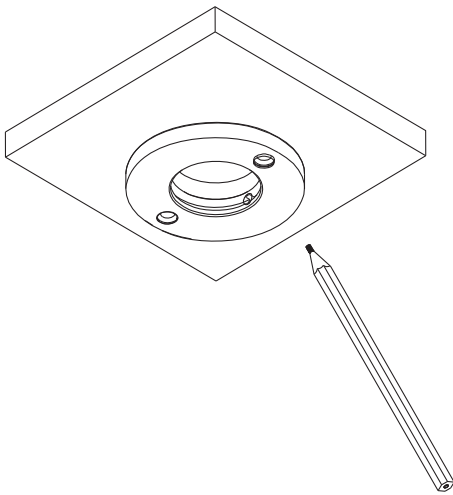
Olivia Austin always recommends that plumbing products be installed by a licensed professional.

1.



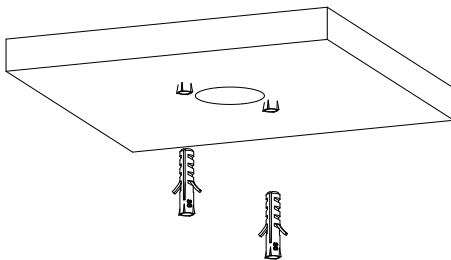
Position the escutcheon (or mounting template) on ceiling central to where you wish to make an installation hole 7/10" - 1-1/8" (16.5-30mm).

2.



Mark the location of mounting screws.

3.



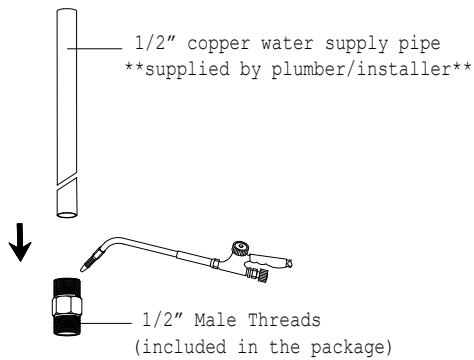
Drill holes in the ceiling to fit the anchors. Tap the plastic anchor into the hole with a hammer.

INSTALLATION METHOD

STEPS 4-6

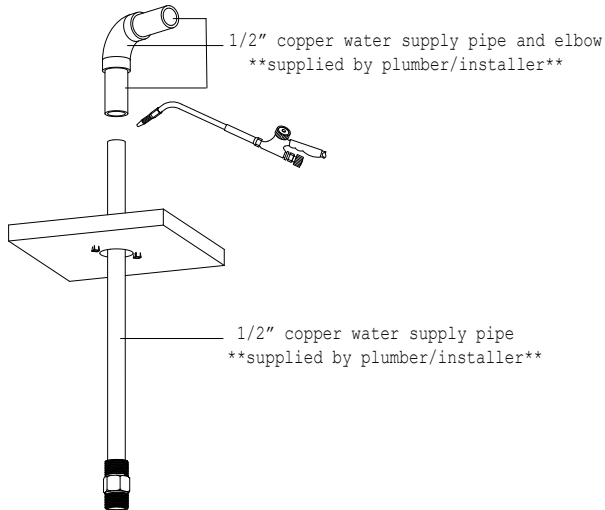
Olivia Austin always recommends that plumbing products be installed by a licensed professional.

4.



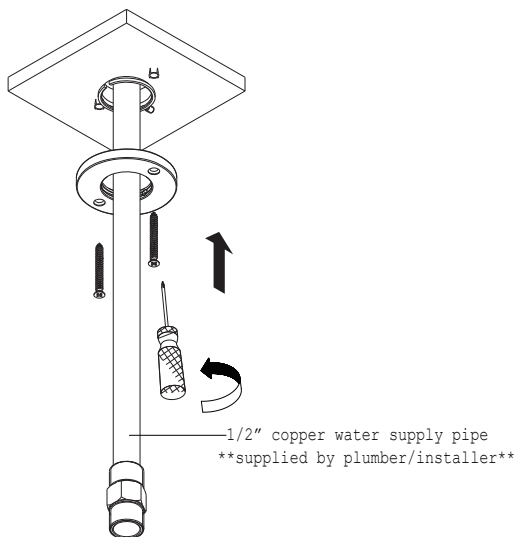
Connect the supplied adaptor with 1/2" copper pipe (O.D= 5/8") by soldering.

5.



Connect the other end of the 1/2" copper pipe with main water supply. Make sure all the connections are sturdy to support the downward pulling force of the shower head.

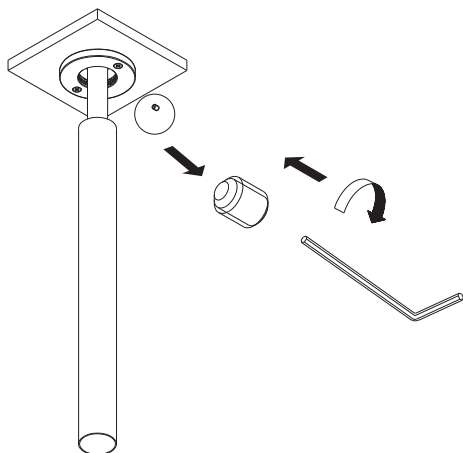
6.



Attach the escutcheon with the mounting screws provided.

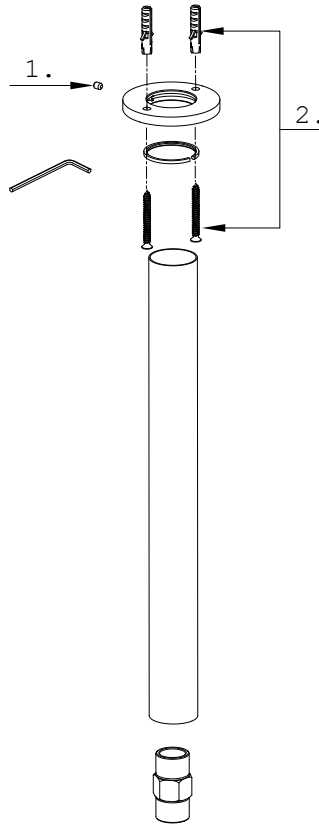
Olivia Austin always recommends that plumbing products be installed by a licensed professional.

7.



Fix the decorative tube at appropriate position with set screw.





1. Set Screw (A008191)

2. Fixing Kit (A290585)



OLIVIA AUSTIN

20TH CENTURY CLASSIC

FOR ADDITIONAL ASSISTANCE OR SERVICE CALL

T: 718.302.5292 F: 718.302.4177

CUSTOMERSERVICE@OLIVIAAUSTIN.COM

9AM-5PM EST, MONDAY - FRIDAY

OLIVIA AUSTIN

1828 TROUTMAN STREET, RIDGEWOOD, NY, 11385

WWW.OLIVIAAUSTIN.COM