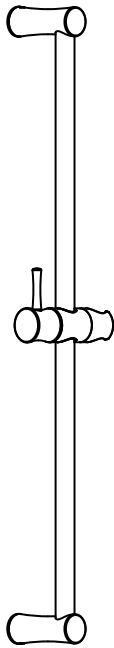


C O O P E R



G R A H A M

INSTALLATION INSTRUCTIONS

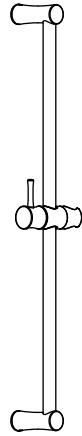


EMILE SHOWER SLIDE BAR

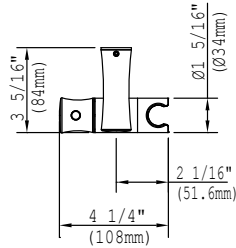
EMI-17400

DIMENSIONS In Inches & Millimetres

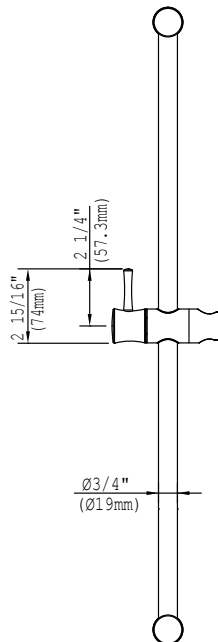
EMILE SHOWER SLIDE BAR



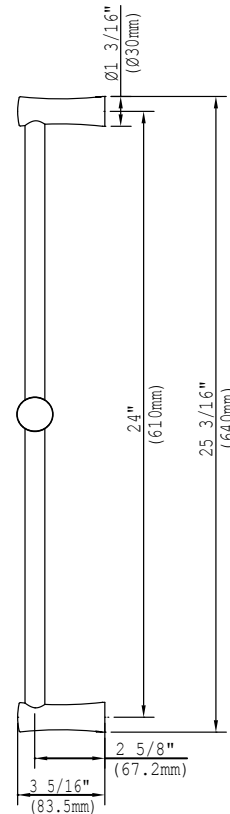
TOP VIEW



FRONT VIEW

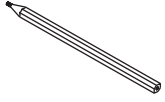


SIDE VIEW

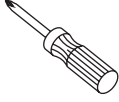


PRODUCT INFORMATION

TOOLS



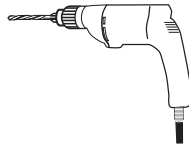
Marking Pencil



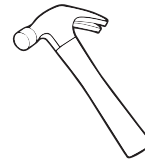
Phillips
Screwdriver



Allen Key



Power Drill



Hammer

MAINTENANCE

- Your new Cooper and Graham product is designed for years of trouble-free performance.
- Keep it looking new by cleaning it periodically with a soft cloth. Avoid abrasive cleaners, wire wool and harsh chemicals as these will dull the finish and void your warranty.

IMPORTANT POINTS

- Prior to beginning installation, turn off the cold and hot water lines. If applicable, open the existing valve to release built-up pressure.
- Overtightening nuts may cause damage.
- Wrap all threaded connections with pipe tape available at your local plumbing supply store. Always wrap in clockwise direction. The fittings should be installed by a state licensed plumber.
- Note: When there is a difference in water pressure between hot and cold supplies to the mixing valve, the pressures should be equalized by a plumber in accordance with best practice and legislation.

SAFETY TIPS

- If you are soldering during faucet installation, remove cartridges, seats, gaskets and washers prior to applying flame, otherwise you will void the warranty.
- When cutting or soldering pipe, use safety glasses to protect your eyes.
- Cover drain openings to avoid losing small parts.

CODES/STANDARDS

- Certifications: IAPMO(cUPC)

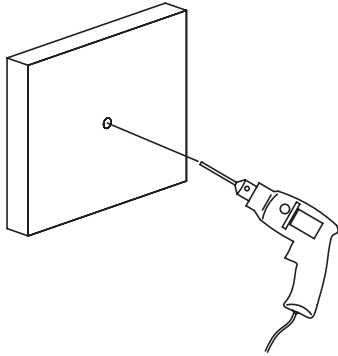


INSTALLATION METHOD

STEPS 1-3

Cooper and Graham always recommends that plumbing products be installed by a licensed professional.

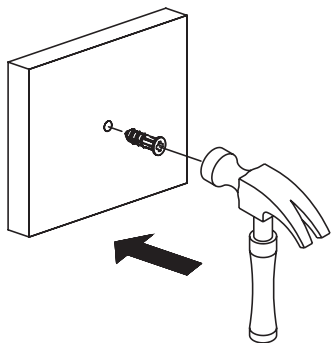
1.



Using the drill bit, carefully drill the holes.

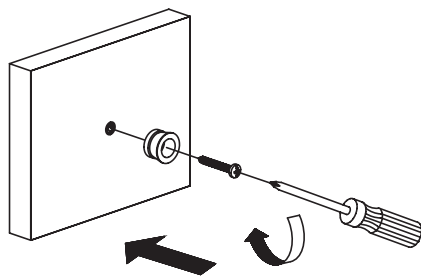
Tip: install one post, then assemble slide bar to confirm hole position of second post before drilling.

2.



Insert the plastic anchor bolts into the holes. You may need to lightly tap them into position with a hammer.

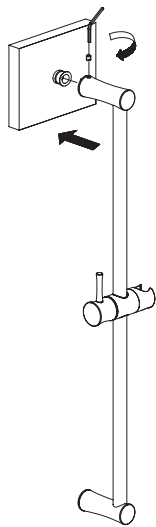
3.



Attach the wall bracket in place and secure it with screws provided.

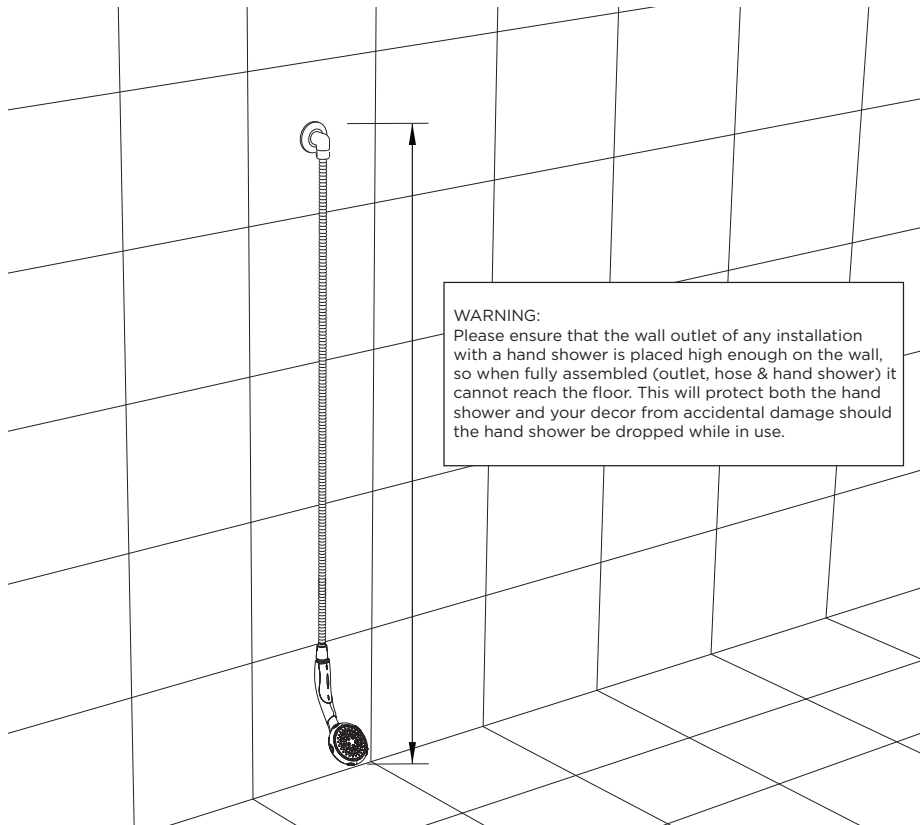
Cooper and Graham always recommends that plumbing products be installed by a licensed professional.

4.

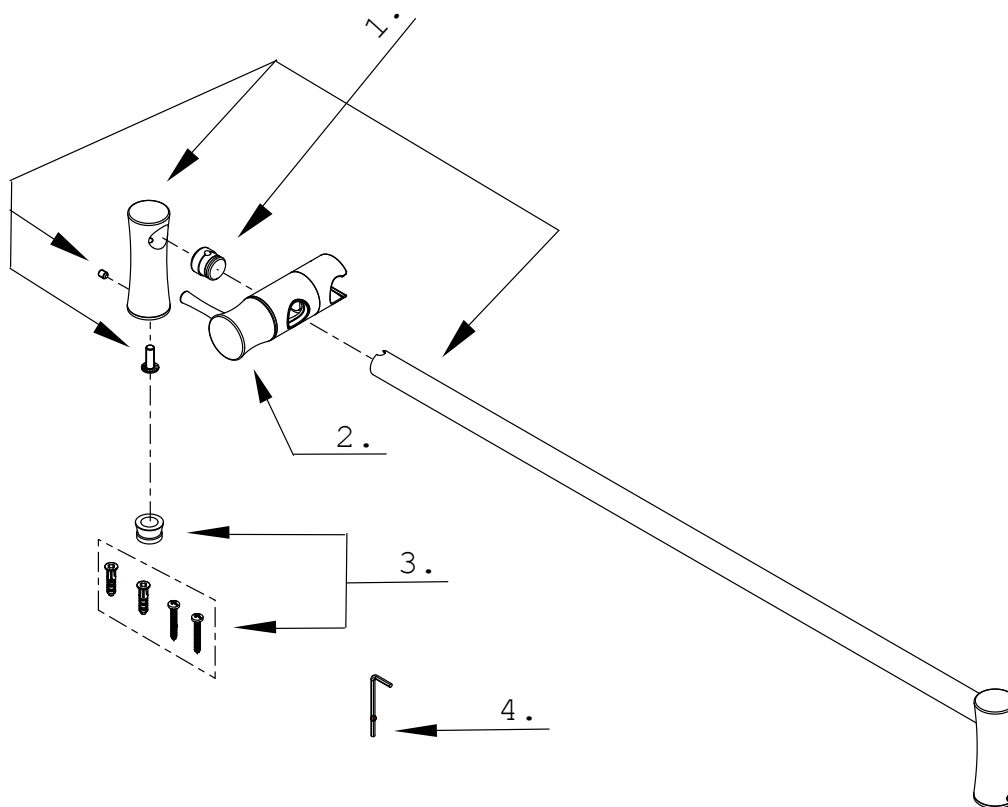


Attached the side bracket onto the wall bracket and tighten with set screw.

Warning (IMPORTANT INFORMATION)



Please ensure that the wall outlet of any installation with a hand shower is placed high enough on the wall, so when fully assembled (outlet, hose & hand shower) it cannot reach the floor. This will protect both the hand shower and your decor from accidental damage should the hand shower be dropped while in use.



1. Rail Assembly (A663A35)
2. Slider Assembly (A117295)
3. Fixing Kit (A663A34)
4. Allen Key (H2.5 * 19mm * 53mm) (A031000)

C O O P E R



G R A H A M

FOR ADDITIONAL ASSISTANCE OR SERVICE CALL

T: 929.432.1699 F: 929.432.1833

CUSTOMERSERVICE@COOPERANDGRAHAM.COM

9AM-5PM EST, MONDAY - FRIDAY

COOPER AND GRAHAM

1828 TROUTMAN STREET, RIDGEWOOD, NY, 11385

WWW.COOPERANDGRAHAM.COM