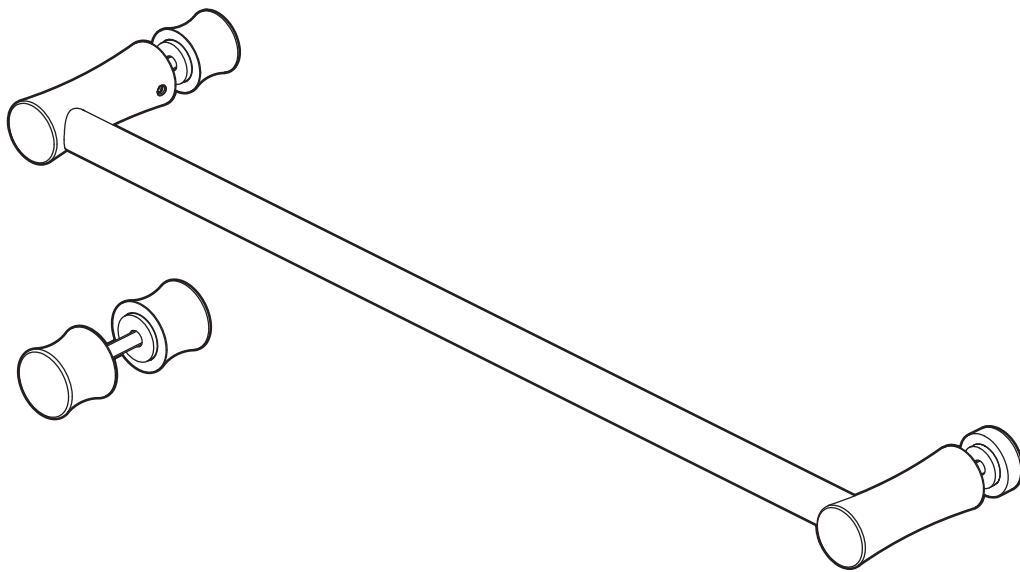


C O O P E R



G R A H A M

INSTALLATION INSTRUCTIONS

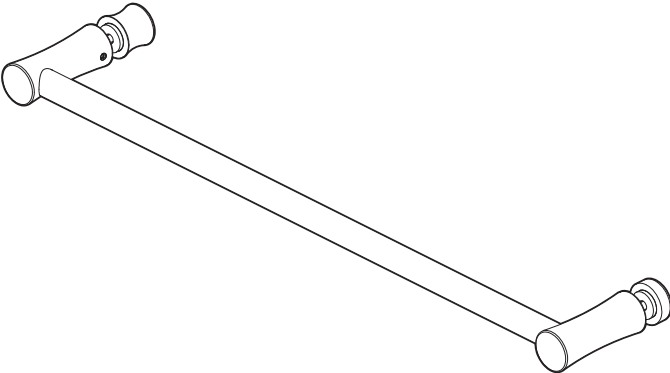


EMILE 20" SHOWER DOOR HANDLE WITH KNOB EMI-13700

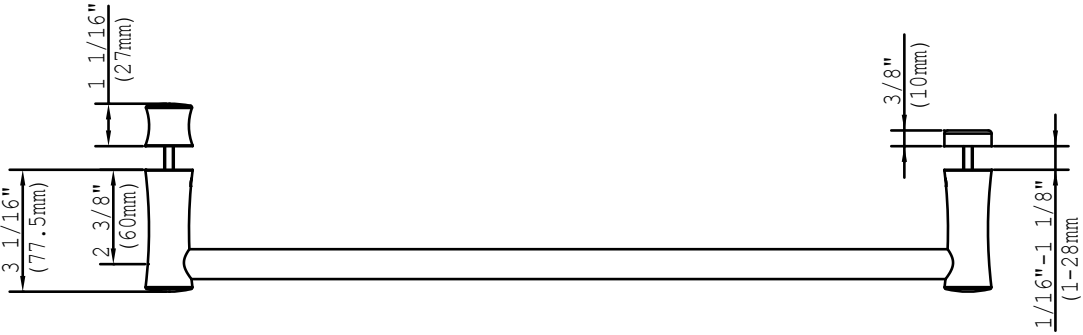
EMILE SHOWER DOOR KNOB EMI-13750

DIMENSIONS In Inches & Millimetres

EMILE 20" SHOWER DOOR HANDLE WITH KNOB

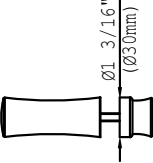
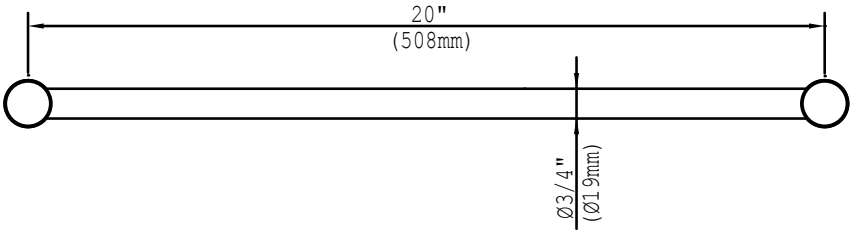


TOP VIEW



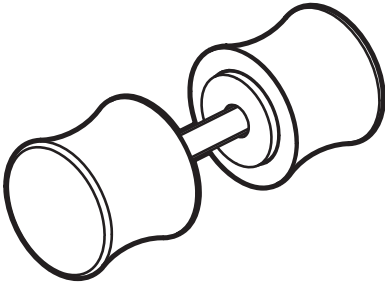
FRONT VIEW

SIDE VIEW

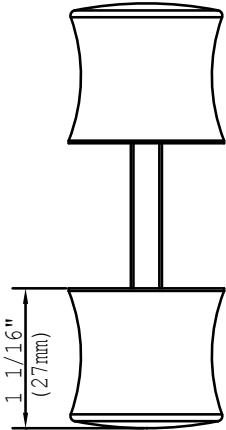


DIMENSIONS In Inches & Millimetres

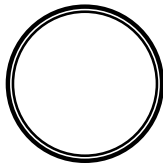
EMILE SHOWER DOOR KNOB



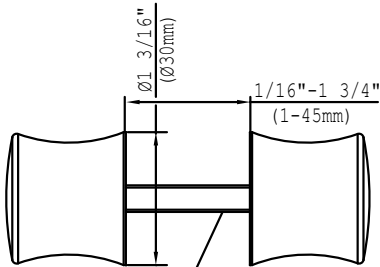
TOP VIEW



FRONT VIEW



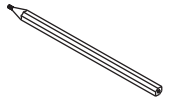
SIDE VIEW



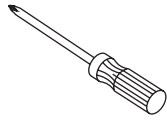
Screw (23403) M6x45mmL for door thick 1-25mm
Screw (23407) M6x65mmL for door thick 26-45mm

PRODUCT INFORMATION

TOOLS



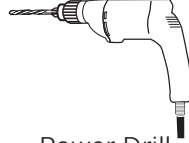
Marking Pencil



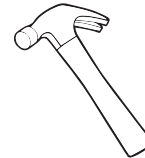
Phillips
Screwdriver



Allen Key



Power Drill



Hammer

MAINTENANCE

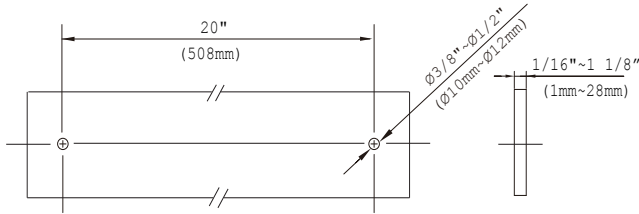
- Your new Cooper and Graham product is designed for years of trouble-free performance.
- Keep it looking new by cleaning it periodically with a soft cloth. Avoid abrasive cleaners, wire wool and harsh chemicals as these will dull the finish and void your warranty.

IMPORTANT POINTS

- Overtightening nuts may cause damages.
- When cutting or soldering, use safety glasses to protect your eyes.

Cooper and Graham always recommends that plumbing products be installed by a licensed professional.

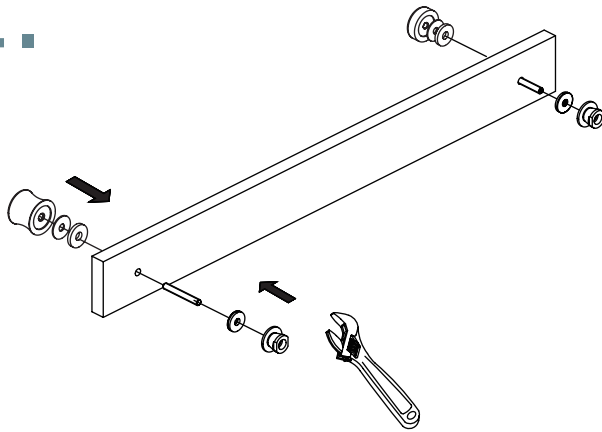
1. EMI-13700



Before installation make sure the dimensions for the shower door are as indicated.

Please note: this product can also be orientated vertically.

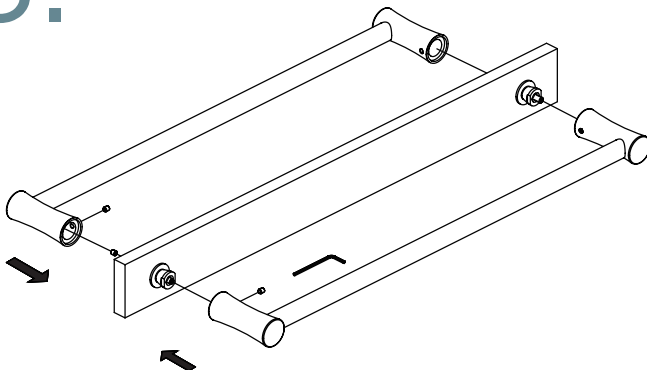
2.



Insert the Stud Bolts through the holes with washers and nuts.

Adjust the direction of the Stud Bolts and tighten the nuts.

3.



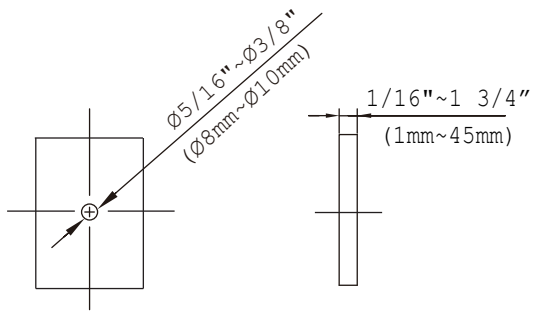
In case you are buying two sets of this product and want to convert them into a double shower door handle, please take the following steps. Firstly screw the stud bolts into the nuts.

Ensure the stud bolts protrude from each side of the door as evenly as possible, to prevent them conflicting with the door handle brackets once they are fitted. Then tighten the fixing nuts securely.

Attach the two door handles on to the nuts then fix them tightly with set screws.

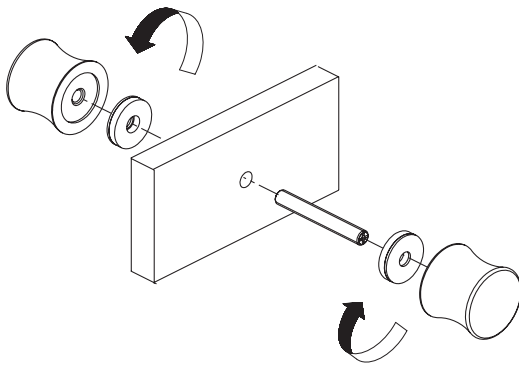
Cooper and Graham always recommends that plumbing products be installed by a licensed professional.

1. EMI-13750



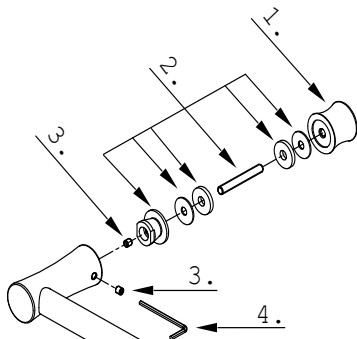
Before installation make sure the dimensions for the shower door are as indicated.

2.

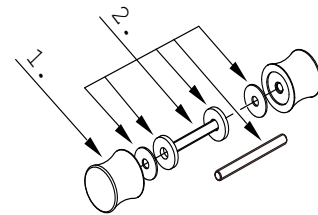


Insert the stud bolts through the holes with washers and holders. Finally adjust the direction of the stud bolts and tighten the holders.

EMI-13700



EMI-13750



1. Pull Knob (RB0127)
2. Holding Hardware (RB0130)
3. Screw (M5*5mm L) (A008003)
4. Allen Key (A031000)
5. Rail Holder (RB0129)

1. Pull Knob (RB0127)
2. Holding Hardware (RB0131)

C O O P E R



G R A H A M

FOR ADDITIONAL ASSISTANCE OR SERVICE CALL

T: 929.432.1699 F: 929.432.1833

CUSTOMERSERVICE@COOPERANDGRAHAM.COM

9AM-5PM EST, MONDAY - FRIDAY

COOPER AND GRAHAM

1828 TROUTMAN STREET, RIDGEWOOD, NY, 11385

WWW.COOPERANDGRAHAM.COM