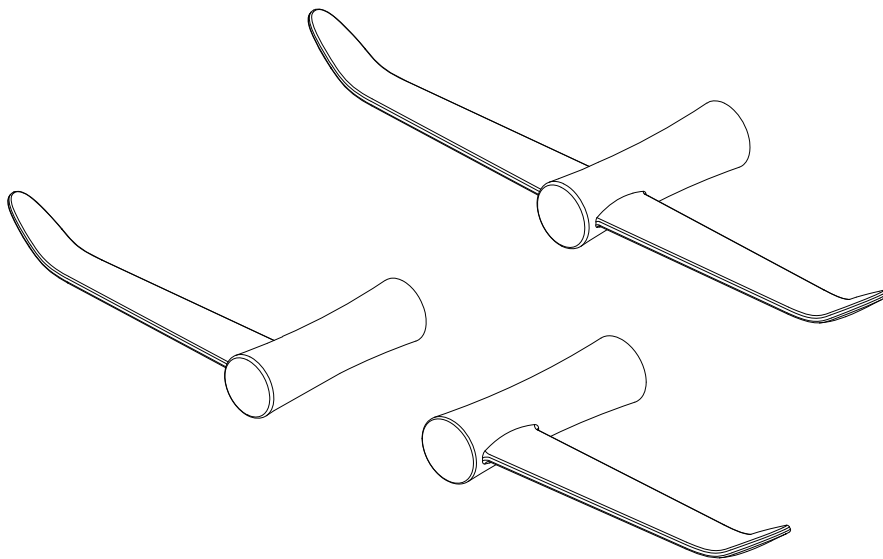


C O O P E R



G R A H A M

INSTALLATION INSTRUCTIONS



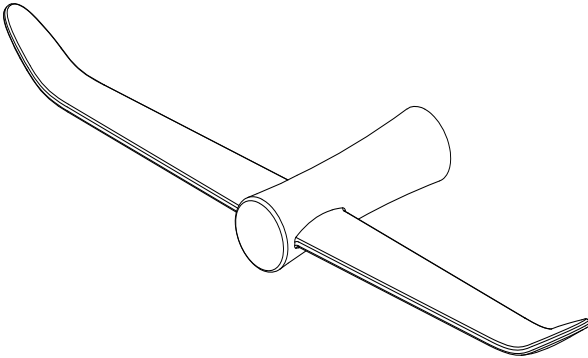
EMILE DOUBLE PAPER HOLDER EMI-13450

EMILE SINGLE PAPER HOLDER EMI-13400

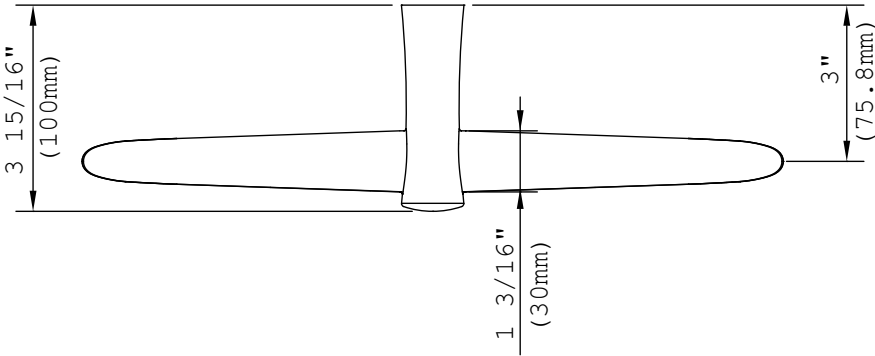
EMILE LEFT-HAND SINGLE PAPER HOLDER EMI-13401

DIMENSIONS In Inches & Millimetres

EMILE DOUBLE PAPER HOLDER

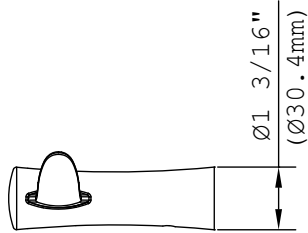
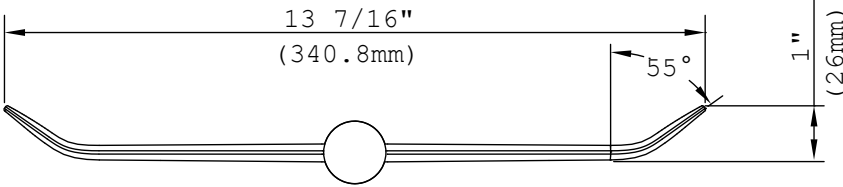


TOP VIEW



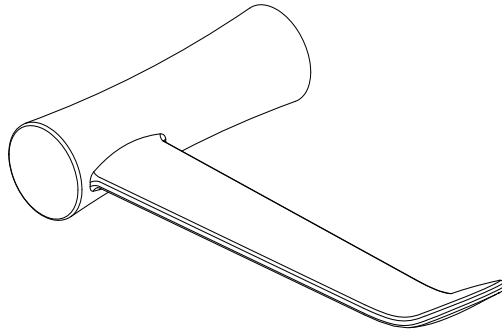
FRONT VIEW

SIDE VIEW

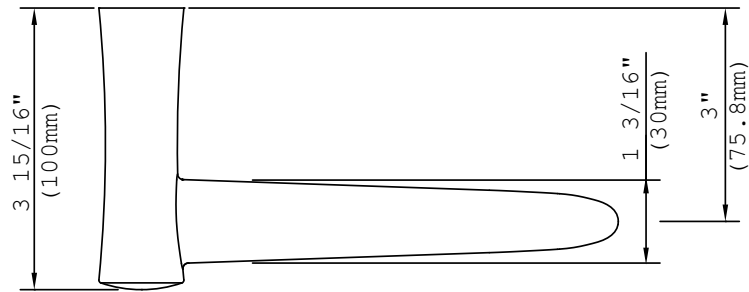


DIMENSIONS In Inches & Millimetres

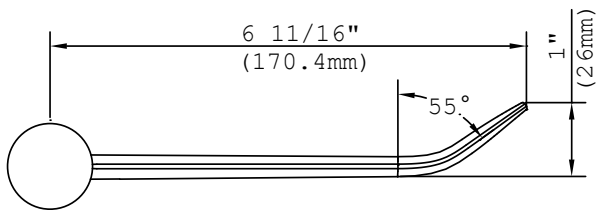
EMILE SINGLE PAPER HOLDER



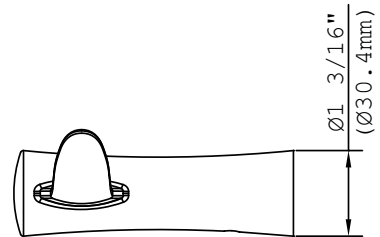
TOP VIEW



FRONT VIEW

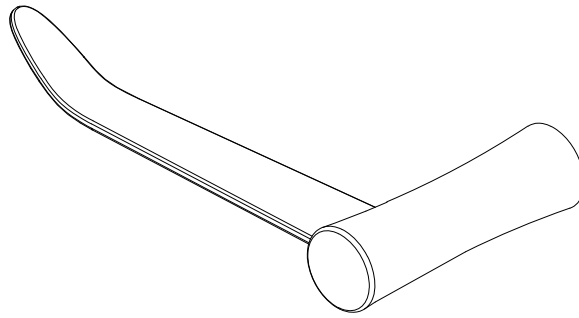


SIDE VIEW

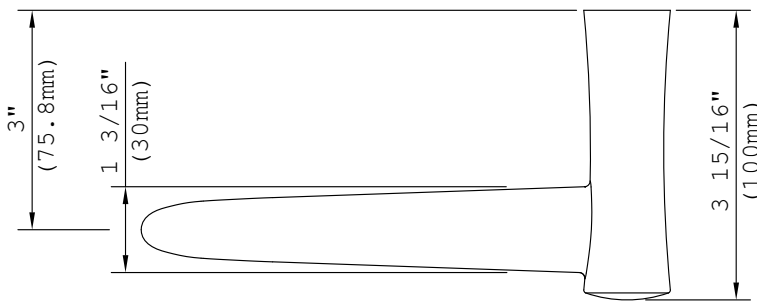


DIMENSIONS In Inches & Millimetres

EMILE LEFT-HAND SINGLE PAPER HOLDER

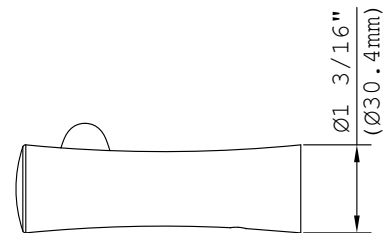
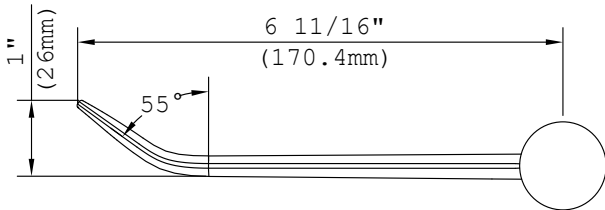


TOP VIEW



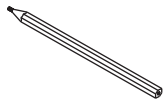
FRONT VIEW

SIDE VIEW

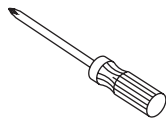


PRODUCT INFORMATION

TOOLS:



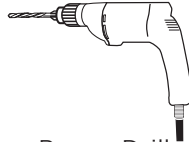
Marking Pencil



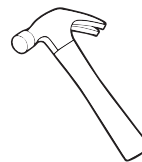
Phillips
Screwdriver



Allen Key



Power Drill



Hammer

MAINTENANCE:

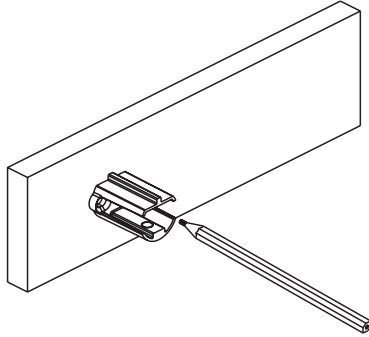
- Your new Cooper and Graham product is designed for years of trouble-free performance.
- Keep it looking new by cleaning it periodically with a soft cloth. Avoid abrasive cleaners, wire wool and harsh chemicals as these will dull the finish and void your warranty.

IMPORTANT POINTS

- Overtightening nuts may cause damages.
- When cutting or soldering, use safety glasses to protect your eyes.

Cooper and Graham always recommends that plumbing products be installed by a licensed professional.

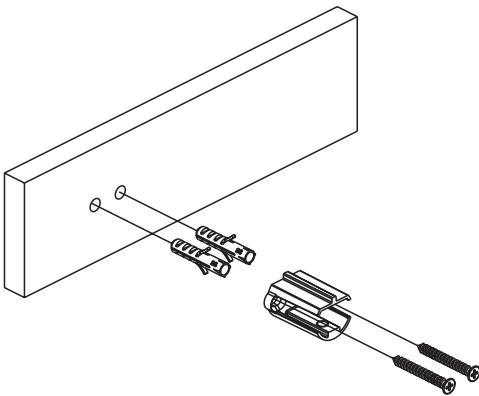
1.



Position the mounting bracket on the wall where required. Please note the direction of the mounting bracket should be as shown.

Mark the location of mounting screws.

2.

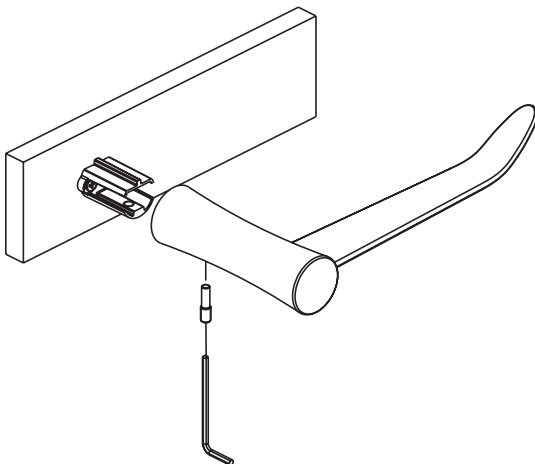


Drill holes into the wall of the marked location.

Tap the plastic anchor into the hole with a hammer.

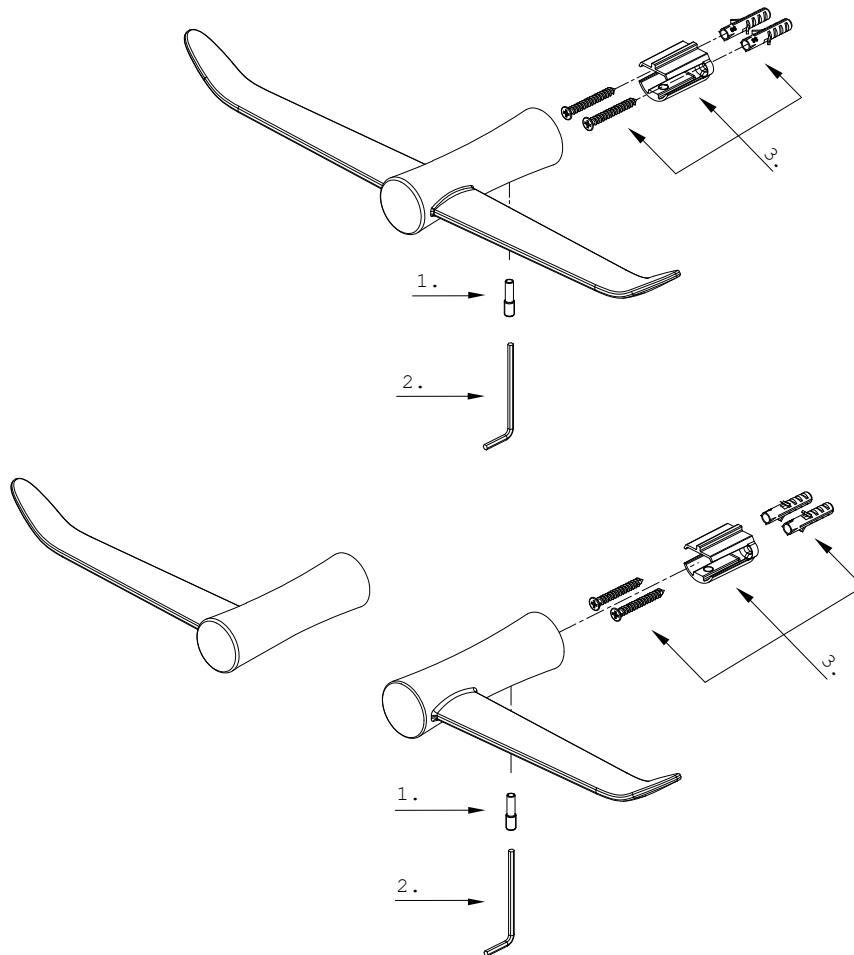
Position the mounting bracket to be mounted on the wall, then thread the fixing screws through the mounting hole into the plastic anchor. Turn the screws slowly until they are tight.

3.



Place assembly over the mounting bracket with set screws facing down. Tighten the set screws.

EMI-13450
EMI-13400
EMI-13401



1. Screw (M5*19mm L) (RB0123)
2. Allen Key (A031000)
3. Mounting Hardware (RB0125)

C O O P E R



G R A H A M

FOR ADDITIONAL ASSISTANCE OR SERVICE CALL

T: 929.432.1699

CUSTOMERSERVICE@COOPERANDGRAHAM.COM

9AM-5PM EST, MONDAY - FRIDAY

COOPER AND GRAHAM

86 KING STREET, NEW YORK, NY 10014

WWW.COOPERANDGRAHAM.COM