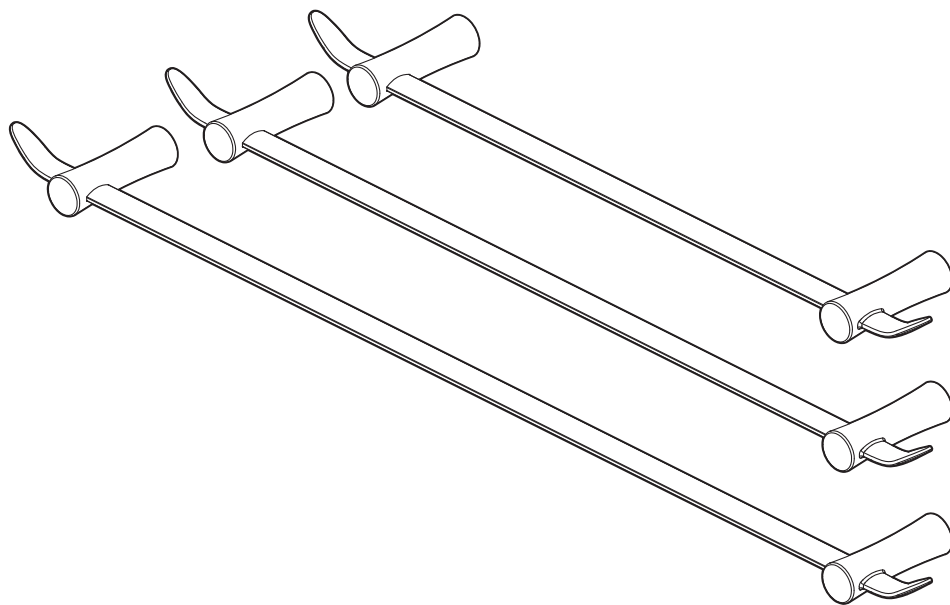


C O O P E R



G R A H A M

## INSTALLATION INSTRUCTIONS



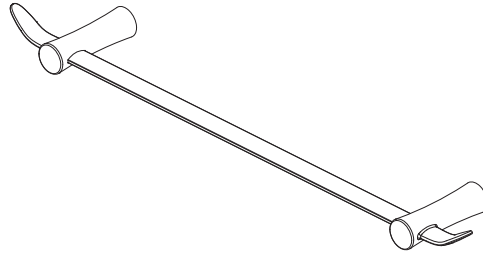
**EMILE 18" TOWEL BAR** EMI-13125

**EMILE 24" TOWEL BAR** EMI-13150

**EMILE 30" TOWEL BAR** EMI-13175

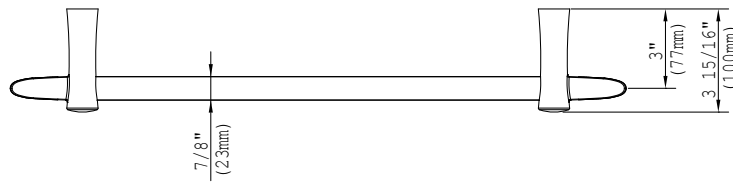
# DIMENSIONS In Inches & Millimetres

## EMILE 18" TOWEL BAR



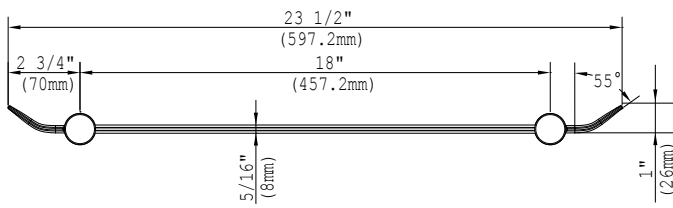
---

### TOP VIEW

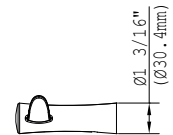


---

### FRONT VIEW

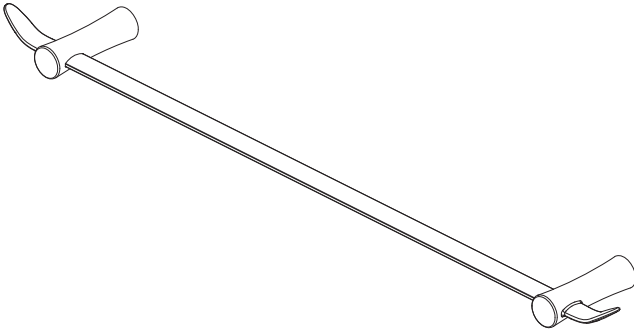


### SIDE VIEW

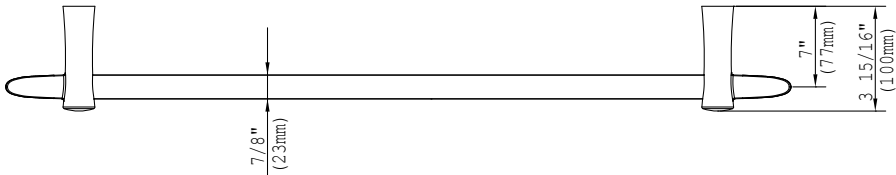


# DIMENSIONS In Inches & Millimetres

## EMILE 24" TOWEL BAR

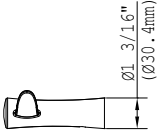
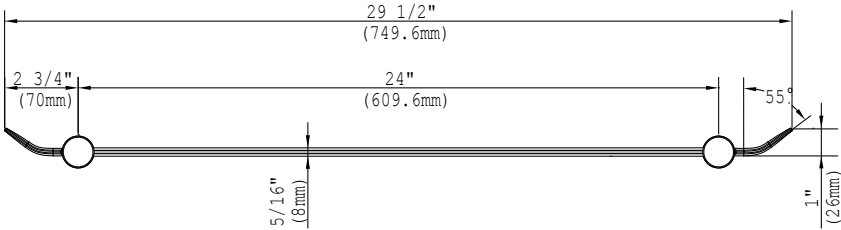


TOP VIEW



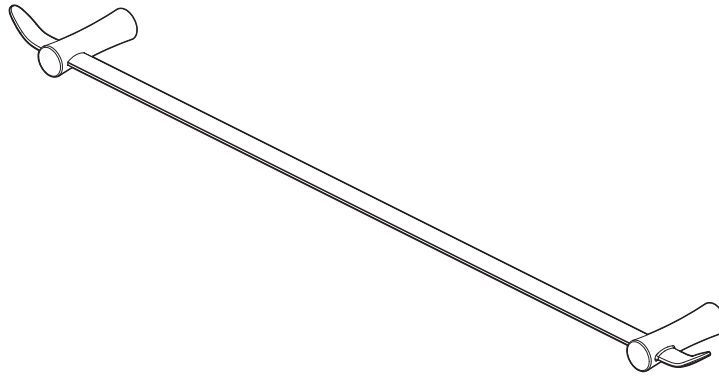
FRONT VIEW

SIDE VIEW

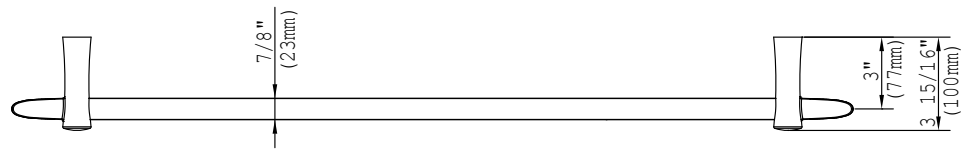


# DIMENSIONS In Inches & Millimetres

## EMILE 30" TOWEL BAR

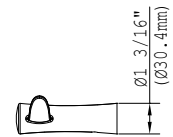
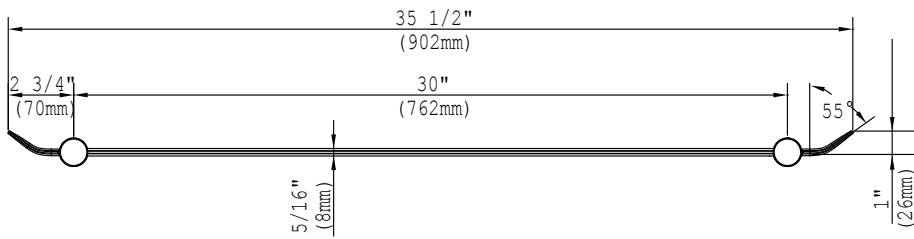


TOP VIEW



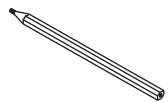
FRONT VIEW

SIDE VIEW

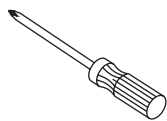


# PRODUCT INFORMATION

## TOOLS



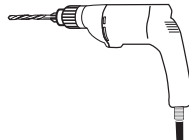
Marking Pencil



Phillips  
Screwdriver



Allen Key



Power Drill



Hammer

---

## MAINTENANCE

- Your new Cooper and Graham product is designed for years of trouble-free performance.
- Keep it looking new by cleaning it periodically with a soft cloth. Avoid abrasive cleaners, wire wool and harsh chemicals as these will dull the finish and void your warranty.

---

## IMPORTANT POINTS

- Overtightening nuts may cause damage.
- When cutting or soldering, use safety glasses to protect your eyes.

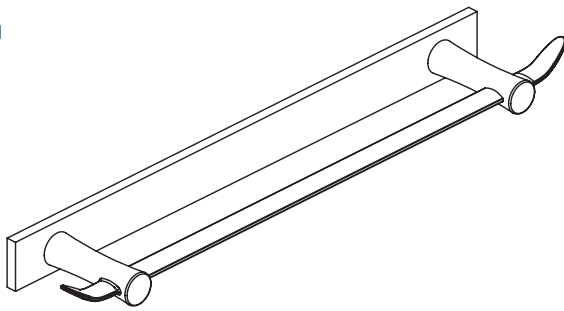
Cooper and Graham always recommends that plumbing products be installed by a licensed professional.

1.



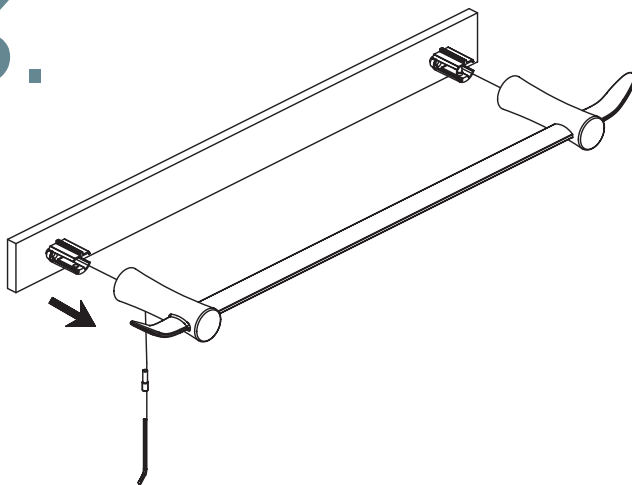
Tear off the sticker from the wall bracket.

2.



Place the complete set of towel rail (with the wall bracket inside) on to the wall where is desired and push it to the wall a bit.

3.



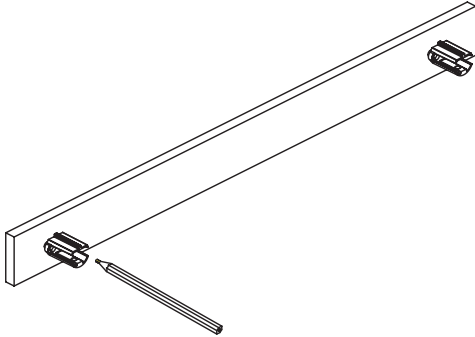
Remove the set screw and take off the towel rail from the wall. The wall bracket will be left on the wall for installer to mark the drilling holes without measures.

# INSTALLATION METHOD

STEPS 4-6

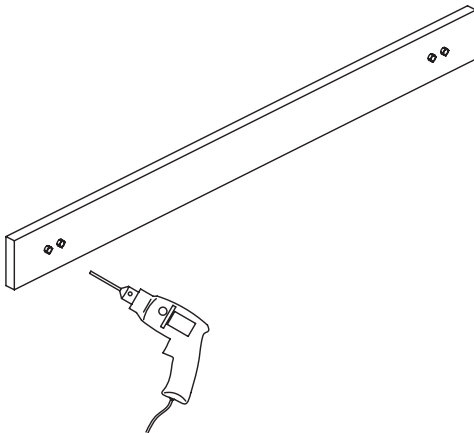
Cooper and Graham always recommends that plumbing products be installed by a licensed professional.

4.



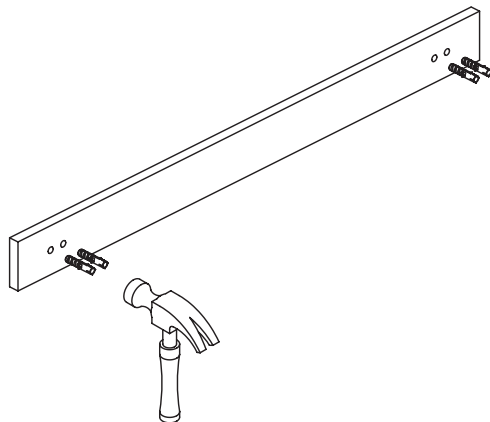
Please note the direction of the mounting bracket should be as shown. Mark the location of mounting screws.

5.



Remove the mounting bracket from the wall. Drill holes into the wall of the marked location.

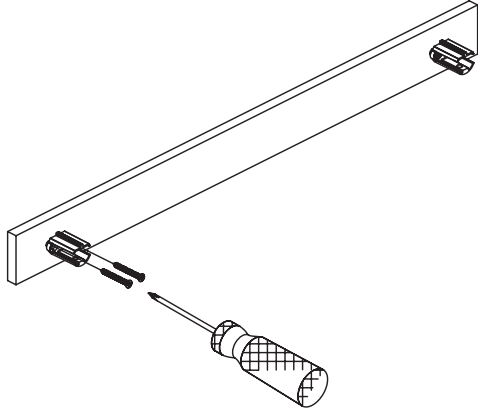
6.



Tap the plastic anchor into the hole with a hammer.

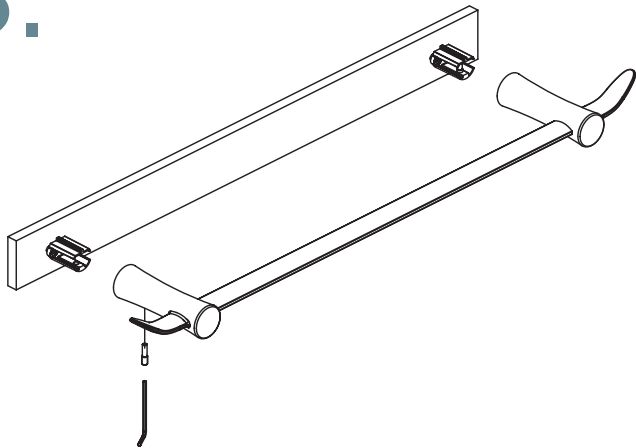
Cooper and Graham always recommends that plumbing products be installed by a licensed professional.

7.



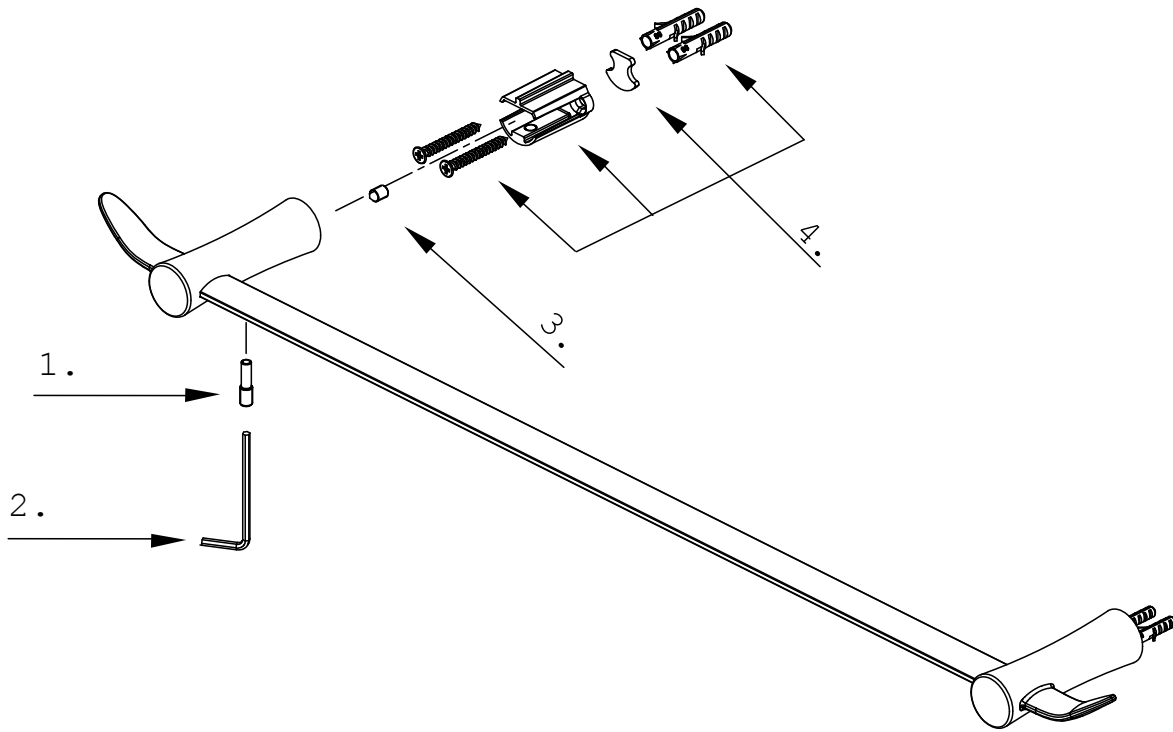
Position the mounting bracket to be mounted on the wall, then thread the fixing screws through the mounting hole into the plastic anchor. Turn the screws slowly until they are tight.

8.



Place assembly over the mounting bracket with set screws facing down. Tighten the set screws.





1. Screw (M5\*19mm L) (RB0123)
2. Allen Key (A031000)
3. Screw (M5\*8mm L) (A075208)
4. Mounting Hardware (RB0124)





C O O P E R



G R A H A M

FOR ADDITIONAL ASSISTANCE OR SERVICE CALL

**T: 929.432.1699 F: 929.432.1833**

[CUSTOMERSERVICE@COOPERANDGRAHAM.COM](mailto:CUSTOMERSERVICE@COOPERANDGRAHAM.COM)

9AM-5PM EST, MONDAY - FRIDAY

**COOPER AND GRAHAM**

1828 TROUTMAN STREET, RIDGEWOOD, NY, 11385

[WWW.COOPERANDGRAHAM.COM](http://WWW.COOPERANDGRAHAM.COM)