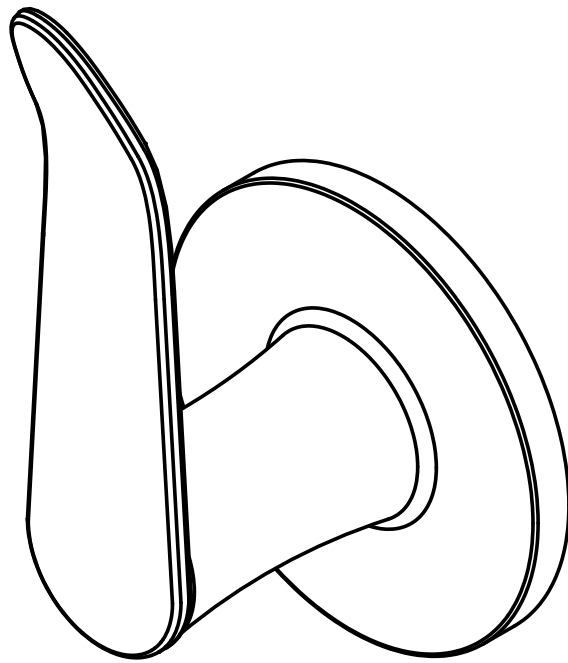


C O O P E R



G R A H A M

## INSTALLATION INSTRUCTIONS

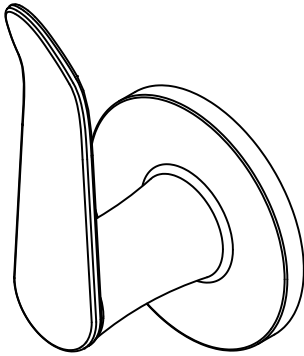


**EMILE 2-WAY DIVERTER TRIM**

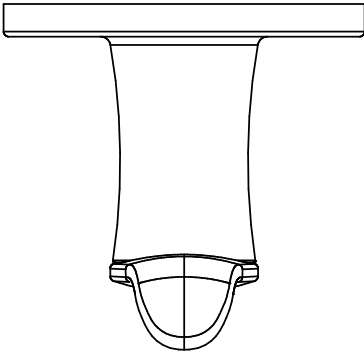
EMI-12600

# DIMENSIONS In Inches & Millimetres

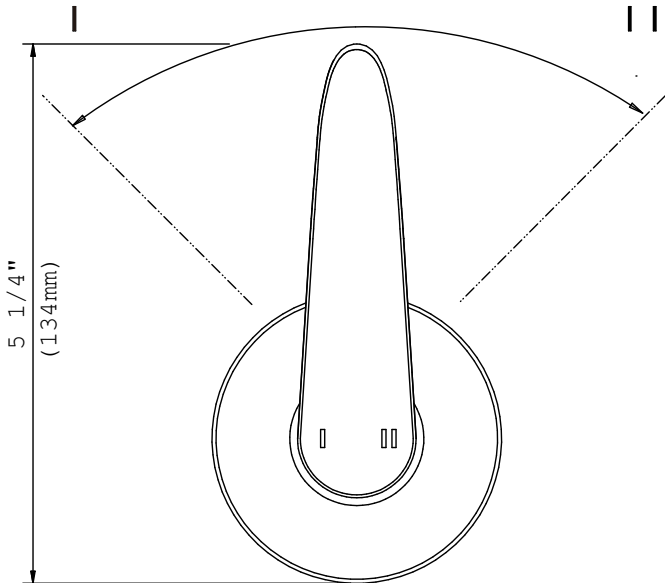
## EMILE 2-WAY DIVERTER TRIM



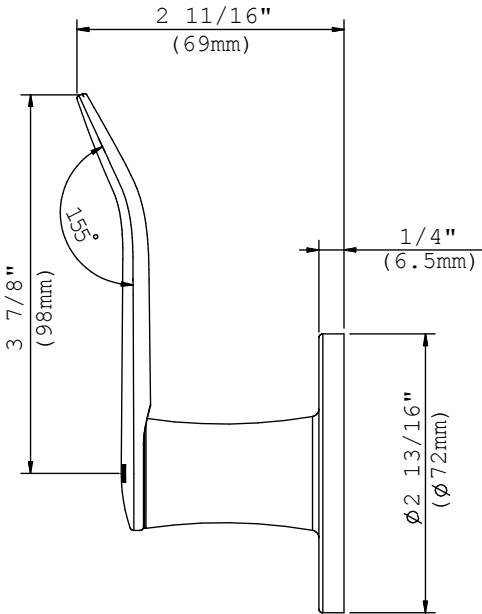
TOP VIEW



FRONT VIEW



SIDE VIEW



# PRODUCT INFORMATION

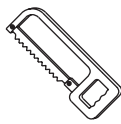
## TOOLS



Groove Joint Pliers



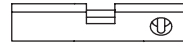
Adjustable Wrench



Hacksaw



Phillips Screwdriver



Level



Pipe Tape



Spatula

## MAINTENANCE

- Your new Cooper and Graham product is designed for years of trouble-free performance.
- Keep it looking new by cleaning it periodically with a soft cloth. Avoid abrasive cleaners, wire wool and harsh chemicals as these will dull the finish and void your warranty.

## IMPORTANT POINTS

- Prior to beginning installation, turn off the cold and hot water lines. If applicable, open the existing valve to release built-up pressure.
- Overtightening nuts may cause damage.
- Wrap all threaded connections with pipe tape available at your local plumbing supply store. Always wrap in clockwise direction. The fittings should be installed by a state licensed plumber.
- Note: When there is a difference in water pressure between hot and cold supplies to the mixing valve, the pressures should be equalized by a plumber in accordance with best practice and legislation.

## SAFETY TIPS

- If you are soldering during faucet installation, remove cartridges, seats, gaskets and washers prior to applying flame, otherwise you will void the warranty.
- When cutting or soldering pipe, use safety glasses to protect your eyes.
- Cover drain openings to avoid losing small parts.

## CODES/STANDARDS

- Certifications: IAPMO(cUPC)
- ADA Compliant

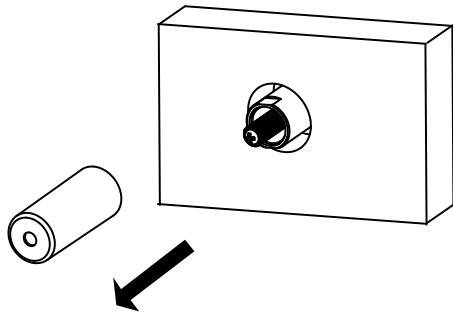


# INSTALLATION METHOD

STEPS 1-2

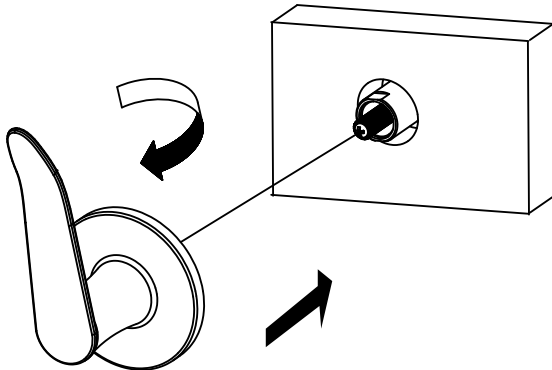
Cooper and Graham always recommends that plumbing products be installed by a licensed professional.

1.

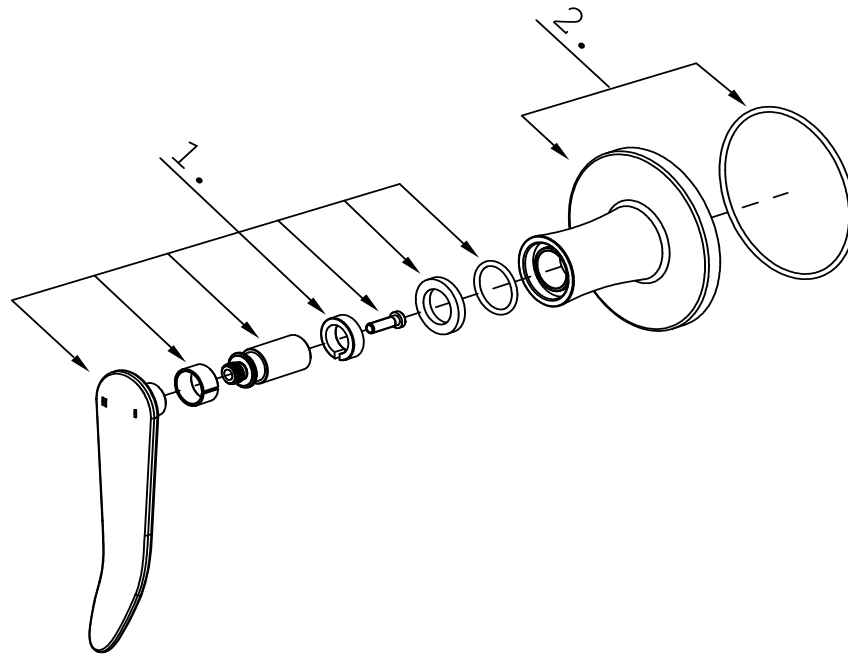


Throw away the protective cap only when the building construction is completed and you are ready to fit the trim kit.

2.



Attach handle assembly to the valve.



1. Lever Handle Assembly (A662A27-52)
2. Handle Base Assembly (A663A30)





C O O P E R



G R A H A M

FOR ADDITIONAL ASSISTANCE OR SERVICE CALL

**T: 929.432.1699 F: 929.432.1833**

[CUSTOMERSERVICE@COOPERANDGRAHAM.COM](mailto:CUSTOMERSERVICE@COOPERANDGRAHAM.COM)

9AM-5PM EST, MONDAY - FRIDAY

**COOPER AND GRAHAM**

1828 TROUTMAN STREET, RIDGEWOOD, NY, 11385

[WWW.COOPERANDGRAHAM.COM](http://WWW.COOPERANDGRAHAM.COM)