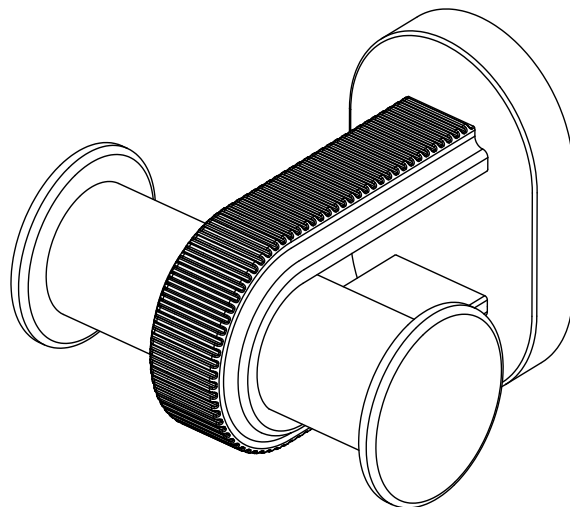


C O O P E R



G R A H A M

INSTALLATION INSTRUCTIONS

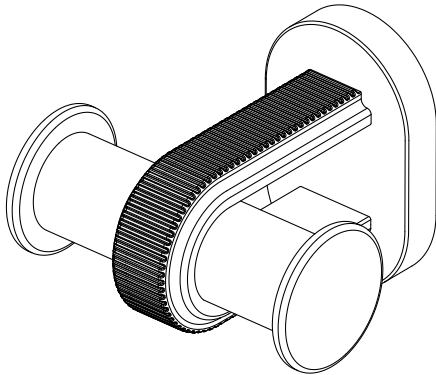


AIADES DOUBLE ROBE HOOK

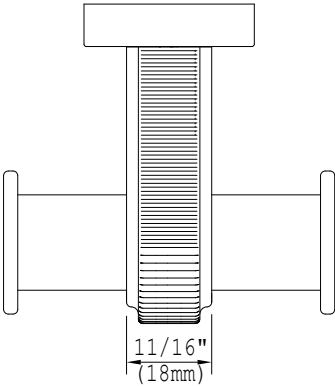
ADE-13350

DIMENSIONS In Inches & Millimetres

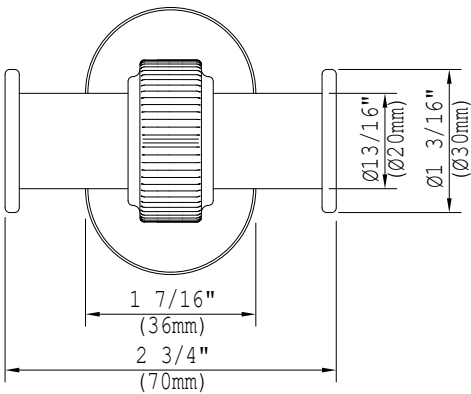
AIADES DOUBLE ROBE HOOK



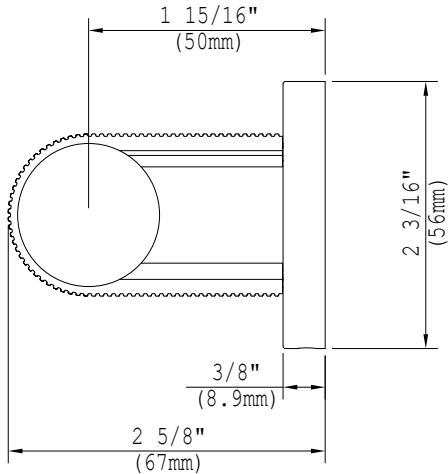
TOP VIEW



FRONT VIEW

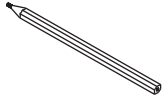


SIDE VIEW

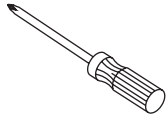


PRODUCT INFORMATION

TOOLS



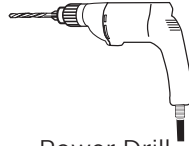
Marking Pencil



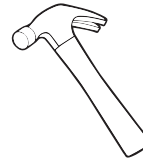
Phillips
Screwdriver



Allen Key



Power Drill



Hammer

MAINTENANCE

- Your new Cooper and Graham product is designed for years of trouble-free performance.
- Keep it looking new by cleaning it periodically with a soft cloth. Avoid abrasive cleaners, wire wool and harsh chemicals as these will dull the finish and void your warranty.

IMPORTANT POINTS

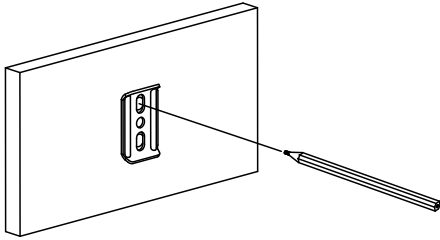
- Overtightening nuts may cause damages.
- When cutting or soldering, use safety glasses to protect your eyes.

INSTALLATION METHOD

STEPS 1 - 3

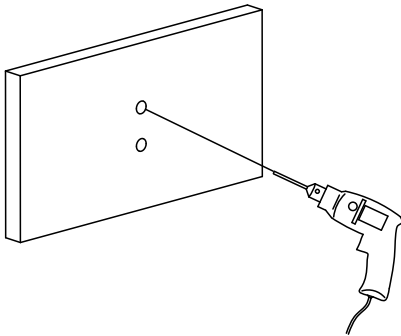
Cooper and Graham always recommends that plumbing products be installed by a licensed professional.

1.



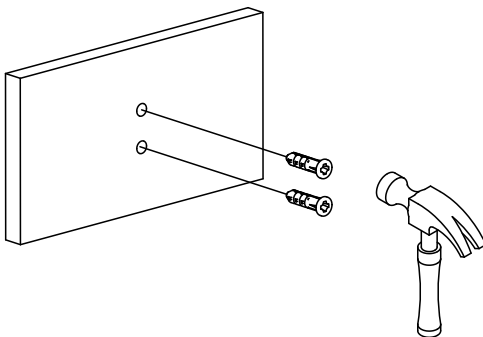
Position the mounting bracket on the wall where required. Mark the location of mounting screws.

2.



Drill holes in the wall to fit the anchors.

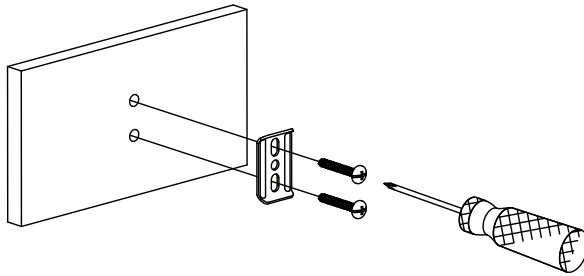
3.



Tap the plastic anchor into the hole with a hammer.

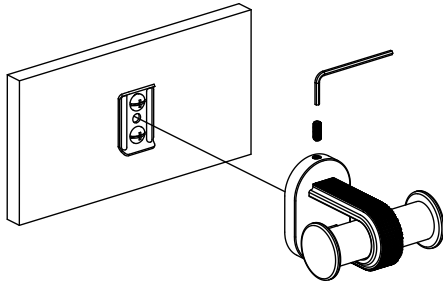
Cooper and Graham always recommends that plumbing products be installed by a licensed professional.

4.

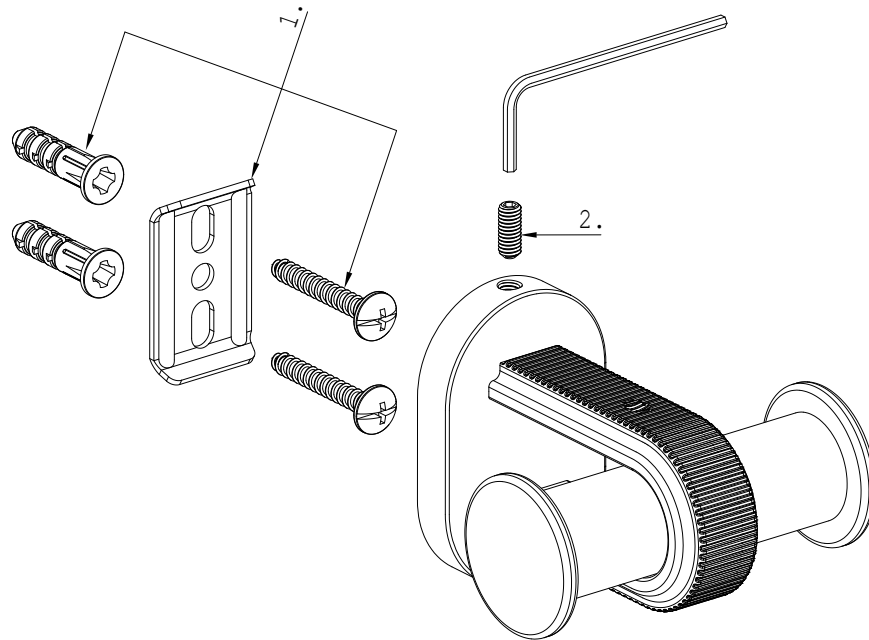


Position the mounting bracket to be mounted on the wall, then thread the fixing screws through the mounting hole into the plastic anchor. Turn the screws slowly until they are tight.

5.



Place assembly over the mounting bracket with the set screw facing up. Tighten the set screw.



1. Mounting Hardware (19AD22-PP01)
2. Set Screw (SBH-M4x0_7x10)

C O O P E R



G R A H A M

FOR ADDITIONAL ASSISTANCE OR SERVICE CALL
T: 929.432.1699 F: 929.432.1833

CUSTOMERSERVICE@COOPERANDGRAHAM.COM
9AM-5PM EST, MONDAY - FRIDAY

COOPER AND GRAHAM

1828 TROUTMAN STREET, RIDGEWOOD, NY, 11385
WWW.COOPERANDGRAHAM.COM